



STOVES

---

INTERNATIONAL



By appointment to The Royal Danish Court

**morsø**

# The definition of hygge

# CONTENTS

---

History.....	4
Morsø makes homelife better .....	6
The original cast iron stove.....	8
8800-series .....	10
8200-series.....	12
8100-series.....	14
7900-series.....	16
7800-series.....	18
7600-series.....	20
7400-series .....	22
7300-series.....	24
7110.....	26
6600-series.....	27
6800-series.....	28
6100-series.....	30
5660.....	32
5400-series.....	33
3600-series.....	34
3440.....	35
3100-series.....	36
2100-series.....	37
1600-series.....	38
1126.....	39
1400-series.....	40
2B-series.....	42
S10-series.....	44
S11-series .....	46
S50-series .....	48
S80-90 .....	50
S81.....	51
Technical data .....	52
Hearth plates .....	67
Environment.....	68
Original accessories.....	70

---



## A LONG HISTORY - TOLD IN BRIEF

The history of Morsø Jernstøberi dates all the way back to 1853, when business graduate, N. A. Christensen, started his own iron foundry on the Limfjord island of Mors. In the first few years, the small handful of employees manufactured everything from barn windows and memorial crosses to cooking stoves, pots and pans.

However, N. A. Christensen wasn't just your usual business man. With his well-honed talent for good business and his many creative and forward-thinking ideas, he quickly succeeded in turning the company into one of the country's leading iron foundries, and towards the close of the century, Morsø's cast goods were well-known throughout the country. Especially the popular solid fuel stoves and cooking stoves, which had now become the company's most important brand.

### **Royal warmth**

At the turn of the century, Morsø began supplying heating systems to churches, schools and a number of public buildings, including the state railways and various ministries. And at the start of the 1900s, the popular imperial-style stoves found their way into the royal apartments at Amalienborg. In 1915, various stoves had already been supplied to the palaces at Amalienborg and to several other royal residences, and the company was therefore bestowed the prestigious title of Purveyor to His Majesty the King by King Christian X. Later, in 1969, the title was changed to Purveyor to the Royal Danish Court.



---

### **Always in front**

Right from the earliest years, development and innovation have been an important driving force for Morsø Jernstøberi. Various history-making products and principles have, therefore, put the beautiful island in Limfjord on the map. For example, the convection principle, which at the turn of the new century was developed in cooperation with other foundries, and which has set completely new standards on how efficiently and especially how comfortably we can heat our homes with a solid fuel stove.

When central heating and, therefore, radiators began

to make their mark in Danish homes in the 1950s, the solid fuel stove was out of fashion. But Morsø showed once again that it had its finger on the pulse, when the revolutionary open fireplace stove, the 1122, was launched. In so doing, Morsø opened up a completely new market and a completely new way of making life warmer. In two senses of the word.

In summary, Morsø has, step by step, led the way in both new designs and new ways of combining form and function; efficiency with beauty and comfort – and also in recent years with environmental awareness.

---



## MORSØ MAKES HOME LIFE BETTER

---

For more than 160 years, Morsø has spread warmth through our homes, creating special moments of pure happiness, closeness, peace of mind and comfort. When you eventually put this catalog down, the likelihood is you'll be sold. You'll have fallen for Morsø's timeless look. You'll have fallen in love with cast iron's unique properties. And you'll be convinced of our products' obvious advantages for the environment.

---

But believe us – when you describe your relationship with your Morsø in the future, it won't be the design, the cast iron or its green-friendly impact which will fuel your fondness. By then, it has been an indispensable part of your home. A trusty source of heat, you will love for ease of operation, and the glow of the fire. To choose a Morsø stove, a Morsø pot or an outdoor oven is, in other words, to make a choice for life.



---

### **Morsø Outdoor living - Feel at home outside**

With Morsø Outdoor living we turn up the heat on entertaining outdoors. We have developed a unique collection that makes outdoor living more comfortable, more beautiful and dare we say it more decadent. Yes at Morsø we love fire. We love the way everyone is naturally drawn toward the fascinating, seductive dancing flames. Based on strong traditions, we have created an innovative outdoor world for you, your family and your friends to enjoy, time and time again.

### **Morsø Cooking & Dining**

Going back 160 years Morsø has created cookware in cast iron and demonstrated its superiority as a material for the noble art of cooking over many decades. Morsø has now produced a new stylish series of cookware in functional cast iron pots and pans in beautiful Scandinavian design. We want to make home life better.





## THE ORIGINAL CAST IRON STOVE

---

If you asked 100 random Danish people to name a make of stove, more than 90 of them would without doubt say “Morsø”. With good

reason. For generations, Morsø has been the quintessence of a Danish stove. Timeless and modern at the same time.

---

## WORTH KNOWING ABOUT CAST IRON

---

All stoves want to expand as they get hot. However, cast iron has a thermal tension, which makes the material especially well suited to changing temperatures. The result is that a Morsø cast-iron stove will burn the same tomorrow as it does today.

Morsø's cast iron stoves are not welded but are bound with gasket materials and the plates are bolted together. This gasket material will cushion the expanding plates, for less stress on the castings and will insure that the air tight integrity of the seems is maintained so that there will be less maintenance over the life of the stove.

Cast iron is highly resistant to overheating.

The thickness of the cast iron we use at Morsø ensures that our cast iron stoves retain the heat for a long time.

The ability of cast iron to distribute the heat is high. This means that the heat from a Morsø cast-iron stove always feels comfortable and pleasurable to be near to.

You receive a 10-year guarantee against casting faults and other production faults according to Morsø's warranty conditions.

---

## 8800-SERIES

---

The **Morsø 8800** series is one of the most powerful Morsø stoves. Tall and handsome in cast iron, this trusty source of comfort will spread warmth and comfort time and again. It can be supplied with a pedestal plinth, with a drawer or an open plinth with space for firewood. The door handle stays cool during use, and the door is self-closing and easy to operate.

Heats up 45 - 120 m<sup>2</sup>

---



8842 - drawer



8843 - open base



8848





STEINBERG

LOUISIANA

## 8200-SERIES

---

The **Morsø 8200**, with its spectacular view of the flames, has been further developed from the highly popular Morsø 8100 stove series and is guaranteed to make an impression with its top performance and stylish and modern look. The **Morsø 8200** stands out with elegance and lightness in the room, while the log store acts as a decorative base for the stove. The beautiful view of the flames is emphasised by the gold-tinged vermiculite, cast with the legendary Morsø squirrel on the baffle. Morsø 8229 and Morsø 8259 is equipped with a baking oven, which can be used for cooking and heating up various dishes.

**Heats up 45 - 120 m<sup>2</sup>**

---

8243 - open base



8229 - bake oven



8259 - bake oven & soapstone



8140



8148



8142 - drawer



8170



8145 - sandstone



8190



8150 - soapstone



Top module for all  
8100 models



## 8100-SERIES

The **Morsø 8100**-series has a clean and simple design, where the combination of soft, rounded contours and simple details give the stove a light and timeless look. This guarantees you a classically beautiful stove that will last for decades, while the cast iron's raw and living structure will provide both a rustic and exclusive tone.

Heats up 45 - 120 m<sup>2</sup>



8143 - open base



7943 - open base



# 7900-SERIES

With the **Morsø 7900-series**, Morsø has worked with the designer Monica Ritterband to develop and create a new series of cast iron wood-burners, whose functionality and design suit any home - and of course with quality as the key.

The **Morsø 7900-series** is an innovative design based on a modular system, that makes it possible to customise each wood-burning stove to suit individual needs, both in terms of design and functionality.

Heats up 45 - 120 m<sup>2</sup>



7940



7948



7950  
soapstone top



7970 - wall mounted



7990  
open base



7943  
plain base



7943  
drawer



Low heat storage  
for all 7900 models



High heat storage  
for all 7900 models

7840



## 7800-SERIES

**Morsø 7800** is a modular stove series with clean and simple lines where the combination of simplicity and a well-proportioned design give the stove a classic and timeless expression. The **Morsø 7800**-series, among other things, is characterised by a large fire chamber with an unusual high capacity. The new self-closing locking mechanism is extremely convenient and user friendly. The sleek design of the **Morsø 7800** differentiates itself from the 7900-series by utilising cast iron in preference to the glass side panels.

Heats up 45 - 120 m<sup>2</sup>



7848



7850  
soapstone top



7870  
wall mounted



7890  
open base



7843  
plain base/  
drawer



7843  
open base



Low heat storage  
for all 7800 models



High heat storage  
for all 7800 models

## 7600-SERIES

---

The **Morsø 7600**-series has its own unique character – its spherical shape, feminine transitions and the large door glass. These unique design elements provide the stove with a personal style and a soft organic touch, yet still produced in the robust and almost indestructible material cast iron. The **Morsø 7600** wood burning stove is a work of art not unlike a living being, warming your house, your body and soul. The **Morsø 7600** series is based on the convection principle, ensuring wonderfully clean and efficient combustion.

Heats up 45 - 120 m<sup>2</sup>

---



7642



7644



7650 - soapstone



7690



7648





7440



7442 - drawer



7443 - plain base



7448



7470 - wall mounted



7493 - open base

## 7400-SERIES

Morsø 7400-series takes the best qualities of modern wood burning stoves and uses them to give the consumer a modern take on a classic design. At the same time the series celebrates Morsø's 160th anniversary and, for the first time, presents the newly redesigned Squirrel motif. This motif decorates the matt black side of the stove and emphasizes the quality finish whilst celebrating our 160 year history as the leading manufacturer of high quality wood burning stoves.

Heats up 45 - 105 m<sup>2</sup>



7443 - open base



7370 - wall mounted





## 7300-SERIES

---

The **Morsø 7300**-series invites the homeowner to choose a style for the room. If the woodpile is to create an atmosphere, choose a model with a wood magazine, which allows the light wood to be visibly on display through a glass screen. If, instead, the style is one of discreet charm, choose a model with a drawer, which elegantly slides in to form part of the stove's black look

Heats up 45 - 105 m<sup>2</sup>

---



7340



7342 - drawer



7343  
plain base/  
open base



7348



7393 - open base



## 7110

The **Morsø 7110** wood stove, like all Morsø cast iron stoves, has a very large glass panel without any interfering bars and a superior air wash system to keep the glass clean for an unobstructed view of the fire. Designed with Scandinavian simplicity, the **Morsø 7110** with sharp edges and straight lines are combined with classical American elements such as

the horizontal design and distinct profiles in the top and bottom plates. Whether you have a contemporary-designed home or a classical one, the **Morsø 7110** will seamlessly blend in to make your home cozy and warm.

**Heats up 60 - 135 m<sup>2</sup>**



6643 - open base

6670 - wall mounted



## 6600-SERIES

With the **Morsø 6600** series of stoves, the renowned Morsø brand has successfully produced a stove that sets entirely new standards and captivates onlookers with a surprising elegance and lightness. What's more, the view of the flames is bigger than it has ever been before. The stoves elliptical shape is complimented by a unique double door maximising the glass area. This provides a

spectacular 180 degree view of the flames. The beautiful view of the flames is further enhanced by the gold tinted vermiculite that, like the stoves internal background view, is decorated with the legendary Morsø squirrel on the baffle – proof that this is a genuine Morsø stove.

**Heats up 45 - 120 m<sup>2</sup>**

## 6800-SERIES

---

The **Morsø 6800**-series is Morsø's well-loved ellipse cast iron stove with an elegant rounded-off top that emphasises its organic shape. The beautiful rustic cast iron suits and enhances any home. Deep in the heart of the stove the famous squirrel can be seen, bringing joy and warmth with the aid of the flames. The door handle stays cool during use, and conceals an elegant solution with a self-closing door.

Heats up 45 - 90 m<sup>2</sup>

---



6848



6870 - wall mounted



6843 - open base





6140



6141



6148



6143 - open base



6150 - soapstone



6143 - plain base



6170 - wall mounted

## 6100-SERIES

The **Morsø 6100-series** fans the flames. The stove's unique combustion system helps ensure a higher temperature in the combustion chamber, which means it burns off the flue gases. This provides you with a cleaner and more environmentally-friendly combustion and a higher level of efficiency, guaranteeing you good fuel economy. Furthermore, the elegantly designed glass door and hidden mountings provide a good view of the fire and flames. The **Morsø 6100-series** are 80.1% net efficient with almost no smoke emissions.

Heats up 45 - 90 m<sup>2</sup>



Low heat storage  
for all 6100 models



High heat storage  
for all 6100 models

6190



5660 - with glass front



## 5660

The **Morsø 5660** is an advanced fireplace insert, which fully lives up to our craftsmanship traditions. The design is strict, modern and stylish, while the cast iron's raw and living structure gives the insert a rustic tone. Our innovative insert has an advanced combustion system supplied with tertiary air, enabling the stove to comply with

the strictest, modern requirements for environmentally-conscious heating. The fireplace has an extra large combustion chamber which can accommodate logs of up to 50 cm – for those cold winter evenings.

**Heats up 60 - 120 m<sup>2</sup>**

5660 - without glass front







5443 - open base

## 5400-SERIES

The **Morsø 5400**-series takes its inspiration from the heavy machines in our old factories, melded with a modern form idiom with clean lines and a large glass area. All in all, we have linked it back to the old Morsø tradition, through historical details

from old classic stoves. The result is a new stove in cast iron, which provides a bridge in pure design between tradition and innovation

**Heats up 45 - 120 m<sup>2</sup>**

3610



## 3600-SERIES

The **Morsø 3600** radiant stove is a large, well designed heat source perfect when you need to heat a large area. This cast iron stove is designed by the well-known, english design company, Studio Levien. The stove has an additional side door for convenient loading. A classic

Morsø design, this cast iron beast will watch over your home like a tame dragon. An optional outside air kit is available for this model.

Heats up 90 - 210 m<sup>2</sup>

3640





3440 - plain sides

3440 - squirrel



## 3440

We designed the **Morsø 3440** stove together with the well-known, English design company, Queensbury Hunt Levien, retaining the classic Morsø lines and stylish look, while also integrating an advanced combustion system. The wide

door with large stove glass provides a wonderful view of the flames, helping create both mood and heat in the home.

**Heats up 60 - 105 m<sup>2</sup>**



3142

## 3100-SERIES

Following a thorough, technical upgrade and a face lift, the stove stands out with a contemporary, elegant look and meets all the latest combustion principles. With the **Morsø 3142** we are continuing all the best points from the classic Morsø stoves.

The stoves are equipped with state-of-the-art tertiary combustion system, and the large glass panel provides beautiful unobstructed viewing.

Heat up 45 - 90 m<sup>2</sup>

3112





2140



## 2100-SERIES

Nostalgic look, glowing with English charm. The cast-iron stove, which is very spacious and effective, was the creation of the English designers, Queensbury Hunt. Together with the English designers, we have created a powerful stove, which is a true representative of the proud Morsø tradition. The **Morsø**

**2100-series** has an extra wide combustion chamber, allowing the use of large-sized fuel. At the same time, the width of the doors facilitate large glass windows, allowing you to gaze at the slow crackling fire.

**Heats up 60 - 120 m<sup>2</sup>**



## 1630

---

**Morsø 1630** has a completely traditional stove style, with its fine large door with curved glass, helping to emphasise the cosiness and create a romantic look. The stove was designed at Morsø in 1985 and has always been one of the more

popular styles. The **Morsø 1630** has a nostalgic look with added charm, making it ideal for older homes or country homes.

**Heats up 60 - 150 m<sup>2</sup>**

---



## 1126

---

**Morsø 1126** is a further development of the popular classic Morsø 1124, which was designed by architect Fister Bang from Nykøbing Mors, Denmark. A popular classic, now equipped with a cool handle and a soot-free glass door. **Morsø 1126** has a high

heat output and is one of Morsø's largest convection stoves. The stove is supplied with riddling grate, ash tray and ashpan for easy ash removal.

**Heats up 60 - 150 m<sup>2</sup>**

---

1442 - ribbed





# 1400-SERIES

A steady beating heart. The **Morsø 1400** is the quintessence of a charming stove. It represents what was the heart of many a home, what we know and remember from our childhood. The combustion technology of these classic stoves have since then been further developed and improved so that harmful particles and surplus gases are burnt off. That's why, today, the stoves fulfil the strictest environmental requirements and also bear the Nordic Swan Eco-label. Despite all improvements in technology there are some details which remain timeless and a sign of quality, so Morsø's characteristic squirrel can still be found on the sides. It also available with contemporary ribbed sides.

Heats up 45 - 75 m<sup>2</sup>



1410



1412



1442 - squirrel



1452 - soapstone



1416



1418



1446



1448



2B Classic



## 2B-SERIES

---

No past – no future. At the beginning of the 1930s, the sculptor, Constantin Sørensen, created this impressive radiant stove, featuring Morsø's well-known decoration of squirrel and oak leaves. Then, as today, the **Morsø 2B Classic** is in great demand, and with its almost stately appearance, the stove is perfect for patrician and farm style homes. We have completely updated the combustion technology in the **Morsø 2B Classic**, so that it now meets today's stringent environmental requirements. There's almost no better way to have a fire than with the **Morsø 2B Classic**.

Morsø has relaunched the classic cast iron wood-burning stove, **2B Standard**. With its oblong, spacious combustion chamber that can hold logs up to 45 centimetres long, this model is almost identical to the original edition from the 1930s called the »Forest Stove«. The new version has a glass door and is fitted with the latest in combustion technology, as are all Morsø stoves. The wood burning stove is available in a radiation model as well as in a convection model.

Heats up  
2B Classic 90 - 150 m<sup>2</sup>  
2B Standard 45 - 90 m<sup>2</sup>

---



2B Standard

S10-70 - wall mounted





## S10-SERIES

---

At Morsø, our philosophy is to create the optimum combination of design, quality and materials. The **Morsø S10** range is a convincing example of this. We have developed a range of quality, steel wood-burning stoves with a focus on design. The style is light, elegant and very Scandinavian in expression. And to preserve a touch of our "roots", the new stoves also contain an element of cast iron.

Heats up 45 - 105 m<sup>2</sup>

---



S10-40

S11-40





## S11-SERIES

---

The **Morsø S11** range is the epitome of simple, timeless design. When designing the stove, we attached a great deal of importance to creating an expression with exciting contrasts. Tight lines and soft curves.

Heats up 30 - 75 m<sup>2</sup>

---



S11-42



S11-70 - wall mounted



S11-43



S11-90

## S50-SERIES

---

The **Morsø S50** is presented as an elegant and well-proportioned piece of furniture to dress any home. The slanting door gives the stove character and also accentuates the beautiful and generously-designed glass front. The stove's ergonomically-designed door handle remains cool during stoking and also ensures robust and precise 3-point closing of the door.

**Heats up 45 - 135 m<sup>2</sup>**

---









## S80-90

The **Morsø S80-90** is designed as a picture. In the words of the designer: »A simple and distinctive picture frame, which elegantly and stylishly encloses the orange flames.« When we created this stove, one of our basic ideas was that the glass door be perceived as a floating surface that accentuates the lightness

of the design. The stove was inspired by a modern flatscreen TV, which, with its slim design and light expression, creates the illusion of a beautiful picture hanging on the wall.

**Heats up 75 - 135 m<sup>2</sup>**



## S81

The **Morsø S81** is a compact steel stove combined with a quality cast iron door, you have come to expect from Morsø. This beautiful 4 kW insert is perfect for smaller rooms and looks great either hearth or wall mounted. With its three and four-sided trim

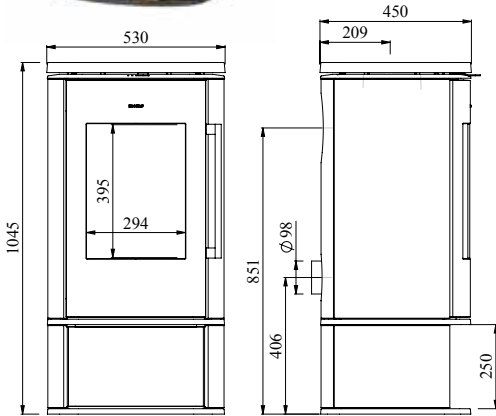
options in dark grey or brushed steel, this 88% net efficient stove will suit any home.

Heats up 30 - 75 m<sup>2</sup>

## 8800-SERIES



8843



Rated output ..... 6,3 kW  
 Heat output range ..... 3 - 8 kW  
 Heats up ..... 45 - 120 m<sup>2</sup>  
 Chamber size ..... 33 cm  
 Flue exit top/rear fits to ..... Ø150 mm  
 Weight ..... 192 - 201 kg  
 Efficiency ..... 80,8%

### Clearance to Combustibles

Sides ..... 500 mm  
 Rear ..... 150 mm

### Height - Height from base to the center of flue collar

8842 ..... 1045 mm - 851 mm  
 8843 ..... 1045 mm - 851 mm  
 8848 ..... 1131 mm - 939 mm

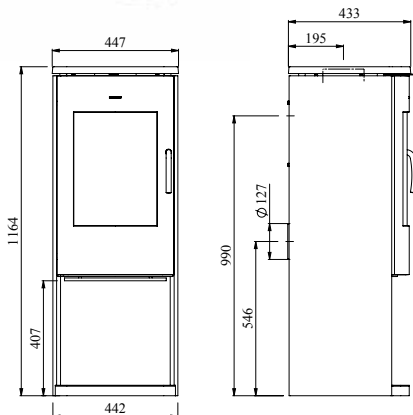
The stove is fitted with outside air kit for rear flue exit

Exploded diagrams for the remaining stoves in the series, can be found at [www.morsoe.com](http://www.morsoe.com)

## 8200-SERIES



8243



Rated output ..... 6,3 kW  
 Heat output range ..... 3 - 8 kW  
 Heats up ..... 45 - 120 m<sup>2</sup>  
 Chamber size ..... 33 cm  
 Flue exit top/rear fits to ..... Ø150 mm  
 Weight ..... 117 - 333 kg  
 Efficiency ..... 80,8%

### Clearance to Combustibles

Sides ..... 500 mm  
 Rear ..... 150 mm

### Height - Height from base to the center of flue collar

8229 ..... 1483 mm - 1322 mm  
 8243 ..... 1164 mm - 990 mm  
 8259 ..... 1519 mm - 1323 mm

The stove is fitted with outside air kit for rear flue exit

Exploded diagrams for the remaining stoves in the series, can be found at [www.morsoe.com](http://www.morsoe.com)

## 8100-SERIES

Rated output .....6,3 kW  
 Heat output range ..... 3 - 8 kW  
 Heats up ..... 45 - 120 m<sup>2</sup>  
 Chamber size ..... 33 cm  
 Flue exit top/rear fits to ..... Ø150 mm  
 Weight ..... 169 - 230 kg  
 Efficiency ..... 80,8%

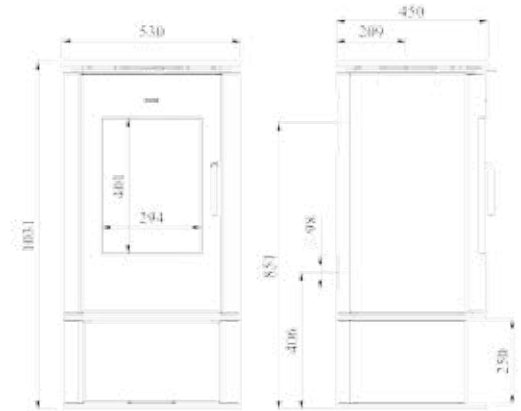
### Clearance to Combustibles

Sides ..... 500 mm  
 Rear ..... 150 mm

### Height - Height from base to the center of flue collar

8140 ..... 869 mm – 689 mm  
 8142 ..... 1031 mm – 851 mm  
 8143 ..... 1031 mm – 851 mm  
 8145 ..... 1042 mm – 831 mm  
 8148 ..... 1119 mm – 939 mm  
 8150 ..... 1042 mm – 831 mm  
 8170 ..... 770 mm – 590 mm  
 8190 ..... 1177 mm – 997 mm

The stove is fitted with outside air kit for rear flue exit



8143

## 7900-SERIES

Rated output .....7,3 kW  
 Heat output range ..... 3 - 8 kW  
 Heats up ..... 45 - 120 m<sup>2</sup>  
 Chamber size ..... 33 cm  
 Flue exit top/rear fits to ..... Ø150 mm  
 Weight ..... 159 - 204 kg  
 Efficiency ..... 79%

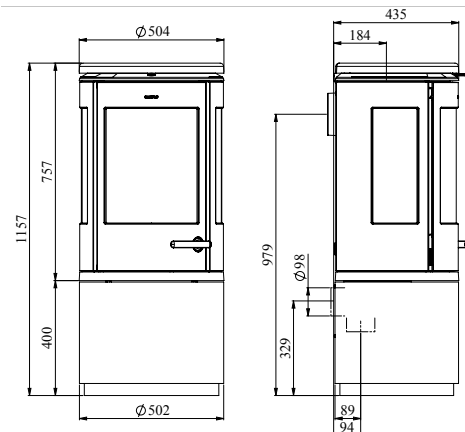
### Clearance to Combustibles

Sides ..... 700 mm  
 Rear ..... 125 mm

### Height - Height from base to the center of flue collar

7940 ..... 1032 mm – 854 mm  
 7943 ..... 1157 mm – 979 mm  
 7948 ..... 1157 mm – 979 mm  
 7950 ..... 1184 mm – 981 mm  
 7970 ..... 757 mm – 589 mm  
 7990 ..... 1357 mm – 1179 mm

Prepared for outside air kit for rear and bottom flue exit

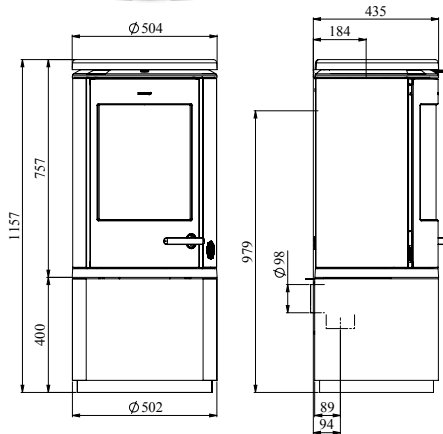


7943

## 7800-SERIES



7843



Rated output ..... 7,3 kW  
 Heat output range ..... 3 - 8 kW  
 Heats up ..... 45 - 120 m<sup>2</sup>  
 Chamber size ..... 36 cm  
 Flue exit top/rear fits to ..... Ø150 mm  
 Weight ..... 157 - 202 kg  
 Efficiency ..... 79%

### Clearance to Combustibles

Sides ..... 400 mm  
 Rear ..... 125 mm

### Height - Height from base to the center of flue collar

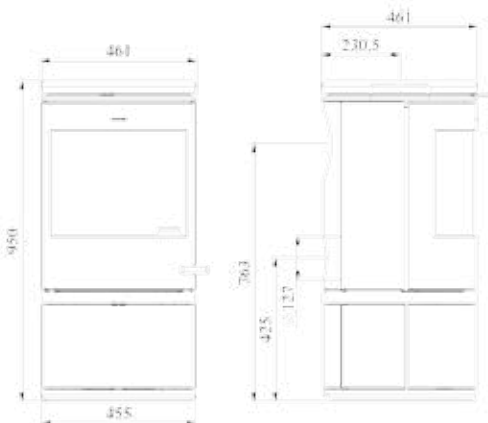
7840 ..... 1032 mm - 854 mm  
 7843 ..... 1157 mm - 979 mm  
 7848 ..... 1157 mm - 979 mm  
 7850 ..... 1184 mm - 981 mm  
 7870 ..... 757 mm - 589 mm  
 7890 ..... 1357 mm - 1179 mm

Prepared for outside air kit for rear and bottom flue exit

## 7600-SERIES



7642



Rated output ..... 6,2 kW  
 Heat output range ..... 3 - 8 kW  
 Heats up ..... 45 - 120 m<sup>2</sup>  
 Chamber size ..... 33 cm  
 Flue exit top/rear fits to ..... Ø150 mm  
 Weight ..... 142 - 185 kg  
 Efficiency ..... 75,9%

### Clearance to Combustibles

Sides ..... 500 mm  
 Rear ..... 150 mm

### Height - Height from base to the center of flue collar

7642 ..... 950 mm - 763 mm  
 7644 ..... 1035 mm - 848 mm  
 7648 ..... 1012 mm - 825 mm  
 7650 ..... 972 mm - 263 mm  
 7690 ..... 1150 mm - 963 mm

The stove is fitted with outside air kit for rear flue exit

## 7400-SERIES

Rated output.....4,3 kW  
 Heat output range ..... 3 - 7 kW  
 Heats up..... 45 - 105 m<sup>2</sup>  
 Chamber size ..... 33 cm  
 Flue exit top/rear fits to..... Ø150 mm  
 Weight ..... 111 - 137 kg  
 Efficiency..... 78,4%

### Clearance to Combustibles

Sides..... 450 mm  
 Rear..... 200 mm

### Height - Height from base to the center of flue collar

7440.....896 mm – 719 mm  
 7442.....997 mm – 819 mm  
 7443.....997 mm – 819 mm  
 7448.....997 mm – 819 mm  
 7470..... 696 mm – 532 mm  
 7493..... 1118 mm – 940 mm

Prepared for outside air kit for rear and bottom flue exit



7440

## 7300-SERIES

Rated output.....4,3 kW  
 Heat output range ..... 3 - 7 kW  
 Heats up..... 45 - 105 m<sup>2</sup>  
 Chamber size ..... 33 cm  
 Flue exit top/rear fits to..... Ø150 mm  
 Weight ..... 111 - 137 kg  
 Efficiency..... 78,4%

### Clearance to Combustibles

Sides..... 450 mm  
 Rear..... 200 mm

### Height - Height from base to the center of flue collar

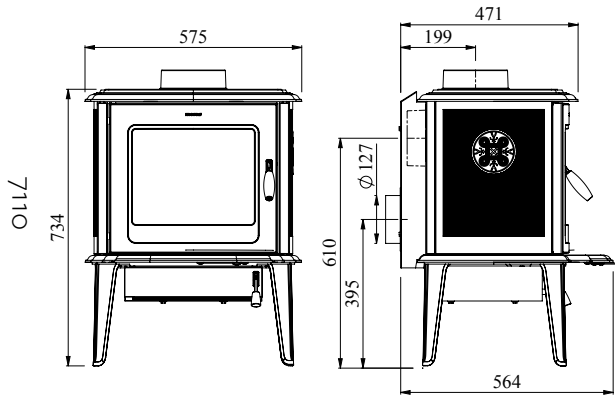
7340.....896 mm – 719 mm  
 7342.....997 mm – 819 mm  
 7343.....997 mm – 819 mm  
 7348.....997 mm – 819 mm  
 7370..... 696 mm – 532 mm  
 7393..... 1118 mm – 940 mm

Prepared for outside air kit for rear and bottom flue exit



7340

# 7110



Rated output ..... 5.4 kW  
 Heat output range ..... 4 - 9 kW  
 Heats up ..... 60 - 135 m<sup>2</sup>  
 Chamber size ..... 40 cm  
 Flue exit top/rear fits to ..... Ø150 mm  
 Weight ..... 145 kg  
 Efficiency ..... 00%

Clearance to Combustibles

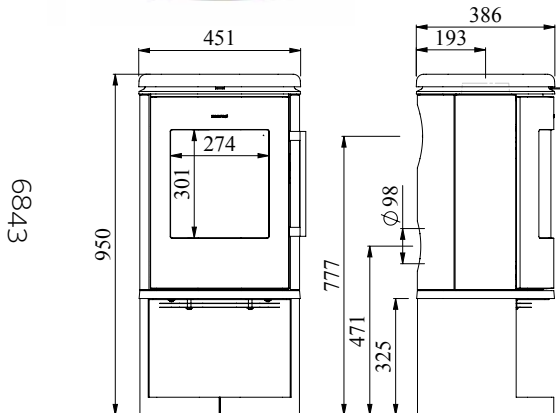
Sides ..... 500 mm  
 Rear ..... 150 mm

Height - Height from base to the center of flue collar

7110 ..... 734 mm - 610 mm

Prepared for outside air kit for rear and bottom flue exit

# 6800-SERIES



Rated output ..... 6 kW  
 Heat output range ..... 3 - 6 kW  
 Heats up ..... 45 - 90 m<sup>2</sup>  
 Chamber size ..... 33 cm  
 Flue exit top/rear fits to ..... Ø120 mm  
 Weight ..... 113 - 125 kg  
 Efficiency ..... 80,1%

Clearance to Combustibles

Sides ..... 400 mm  
 Rear ..... 150 mm

Height - Height from base to the center of flue collar

6843 ..... 950 mm - 777 mm  
 6848 ..... 950 mm - 777 mm  
 6870 ..... 630 mm - 457 mm

Prepared for outside air kit for rear flue exit



## 6600-SERIES

Rated output ..... 5,9 kW  
 Heat output range ..... 3 - 8 kW  
 Heats up ..... 45 - 120 m<sup>2</sup>  
 Chamber size ..... 36 cm  
 Flue exit top/rear fits to ..... Ø150 mm  
 Weight ..... 120 - 123 kg  
 Efficiency ..... 00%

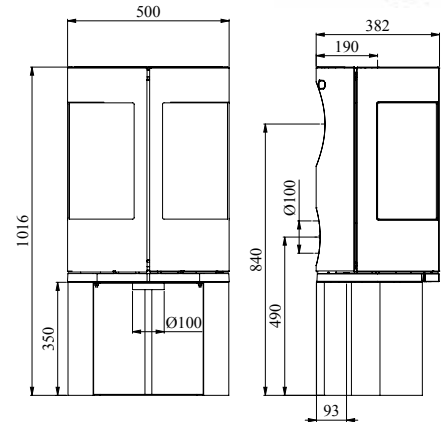
### Clearance to Combustibles

Sides ..... 550 mm  
 Rear ..... 150 mm

### Height - Height from base to the center of flue collar

6643 ..... 1016 mm – 840 mm  
 6670 ..... 675 mm – 500 mm

Prepared for outside air kit for rear and bottom flue exit



6643

## 6100-SERIES

Rated output ..... 6 kW  
 Heat output range ..... 3 - 6 kW  
 Heats up ..... 45 - 90 m<sup>2</sup>  
 Chamber size ..... 33 cm  
 Flue exit top/rear fits to ..... Ø120 mm  
 Weight ..... 105 - 233 kg  
 Efficiency ..... 80,1%

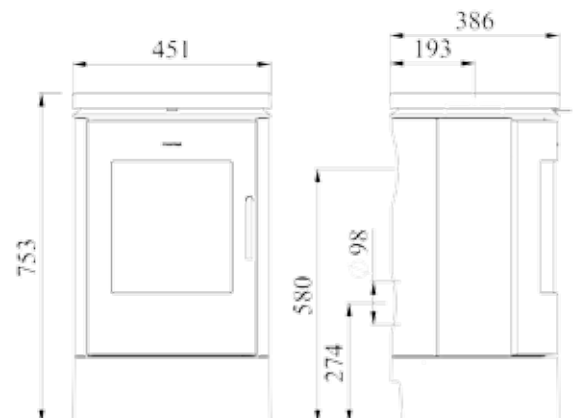
### Clearance to Combustibles

Sides ..... 400 mm  
 Rear ..... 150 mm

### Height - Height from base to the center of flue collar

6140 ..... 753 mm – 580 mm  
 6141 ..... 850 mm – 677 mm  
 6143 ..... 944 mm – 777 mm  
 6148 ..... 950 mm – 777 mm  
 6150 ..... 1016 mm – 779 mm  
 6170 ..... 630 mm – 457 mm  
 6190 ..... 1097 mm – 930 mm

Prepared for outside air kit for rear flue exit

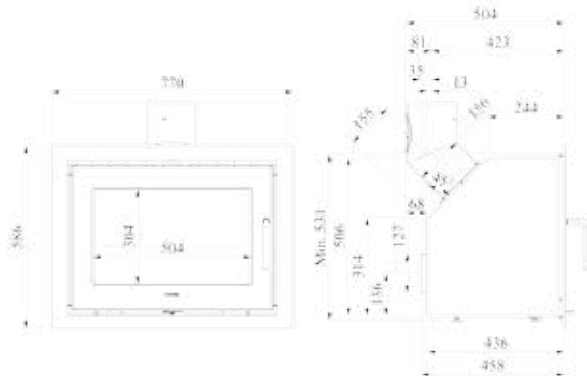


6140

# 5660



5660



Rated output ..... 6,5 kW  
 Heat output range ..... 4 - 8 kW  
 Heats up ..... 60 - 120 m<sup>2</sup>  
 Chamber size ..... 50 cm  
 Flue exit top/rear fits to ..... Ø150 mm  
 Weight ..... 124 kg  
 Efficiency ..... 75%

Clearance to Combustibles

Sides ..... 400 mm  
 Rear ..... 100 mm  
 From floor ..... 300 mm

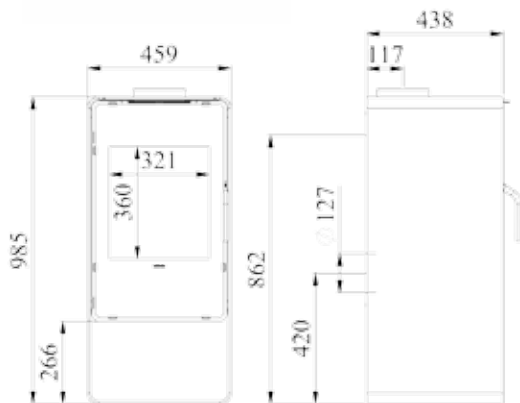
Uninsulated

Optional outside air kit available

# 5400-SERIES



5443



Rated output ..... 6,2 kW  
 Heat output range ..... 3 - 8 kW  
 Heats up ..... 45 - 120 m<sup>2</sup>  
 Chamber size ..... 30 cm  
 Flue exit top/rear fits to ..... Ø120 mm  
 Weight ..... 162 - 201 kg  
 Efficiency ..... 81%

Clearance to Combustibles

Sides ..... 400 mm  
 Rear ..... 250 mm

Height - Height from base to the center of flue collar

5443 ..... 985 mm - 862 mm

The stove is fitted with outside air kit for rear flue exit

# 3600-SERIES

Rated output ..... 9 kW  
 Heat output range ..... 6 - 14 kW  
 Heats up ..... 90 - 210 m<sup>2</sup>  
 Chamber size ..... 58 cm  
 Flue exit top/rear fits to ..... Ø150 mm  
 Weight ..... 224 kg  
 Efficiency ..... 80%

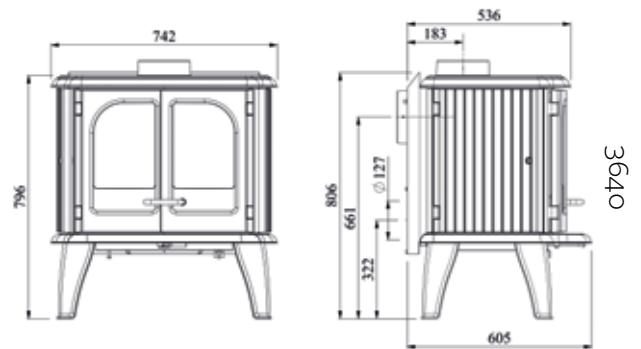
**Clearance to Combustibles**

Sides ..... 400 mm  
 Rear ..... 200 mm

**Height - Height from base to the center of flue collar**

3610 ..... 796 mm - 661 mm  
 3640 ..... 796 mm - 661 mm

Prepared for outside air kit for rear and bottom flue exit



3640

# 3440

Rated output ..... 6,5 kW  
 Heat output range ..... 4 - 7 kW  
 Heats up ..... 60 - 105 m<sup>2</sup>  
 Chamber size ..... 36 cm  
 Flue exit top/rear fits to ..... Ø150 mm  
 Weight ..... 131 kg  
 Efficiency ..... 80,1%

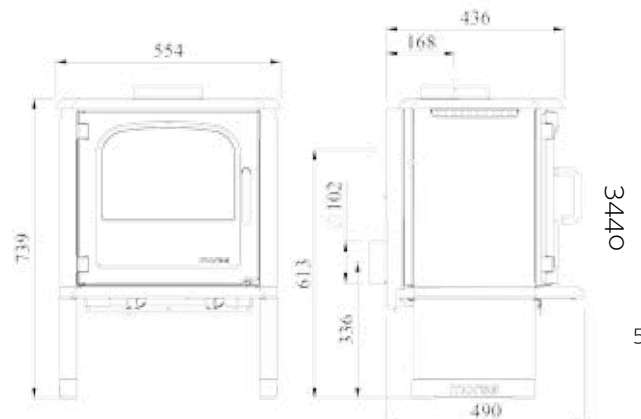
**Clearance to Combustibles**

Sides ..... 350 mm  
 Rear ..... 350 mm

**Height - Height from base to the center of flue collar**

3440 ..... 739 mm - 613 mm

Air kit set for rear flue exit can be bought separately.

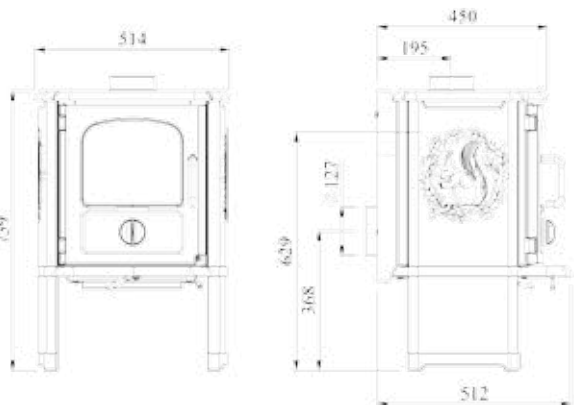


3440

## 3100-SERIES



3142



Rated output ..... 5 kW  
 Heat output range ..... 3 - 6 kW  
 Heats up ..... 45 - 90 m<sup>2</sup>  
 Chamber size ..... 30 cm  
 Flue exit top/rear fits to ..... Ø120 mm  
 Weight ..... 104 - 110 kg  
 Efficiency : ..... 81%

### Clearance to Combustibles

Sides ..... 400 mm  
 Rear ..... 200 mm

### Height - Height from base to the center of flue collar

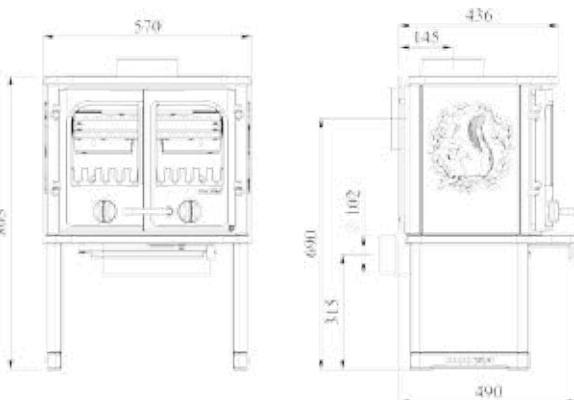
3112 ..... 688 mm - 578 mm  
 3142 ..... 739 mm - 629 mm

Air kit set for rear flue exit can be bought separately

## 2100-SERIES



2140



Rated output 2140 ..... 6 kW  
 Heat output range ..... 4 - 8 kW  
 Heats up 2110 ..... 60 - 120 m<sup>2</sup>  
 Chamber size ..... 40 cm  
 Flue exit top/rear fits to ..... Ø150 mm  
 Weight ..... 125 - 141 kg  
 Efficiency ..... 76%

### Clearance to Combustibles

Sides ..... 400 mm  
 Rear ..... 200 mm

### Height - Height from base to the center of flue collar

2110 ..... 705 mm - 590 mm  
 2140 ..... 805 mm - 690 mm

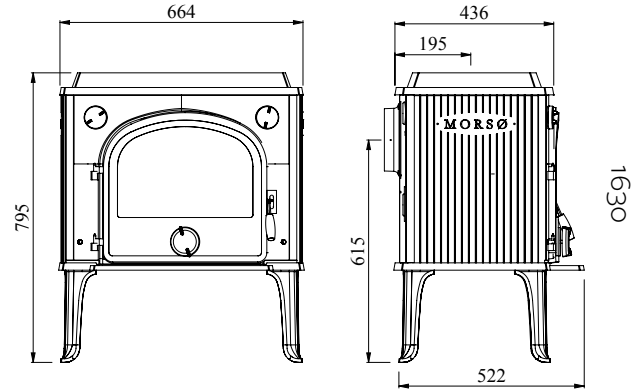
# 1630

Rated output ..... 11 kW  
 Heat output range ..... 7 - 11 kW  
 Heats up ..... 100 - 160 m<sup>2</sup>  
 Chamber size ..... 52 cm  
 Flue exit top/rear fits to ..... Ø150 mm  
 Weight ..... 152 kg  
 Efficiency : ..... 00%

Clearance to Combustibles  
 Sides ..... 800 mm  
 Rear ..... 550 mm

Height - Height from base to the center of flue collar  
 1630 ..... 795 mm - 615 mm

Air kit set for rear flue exit can be bought separately



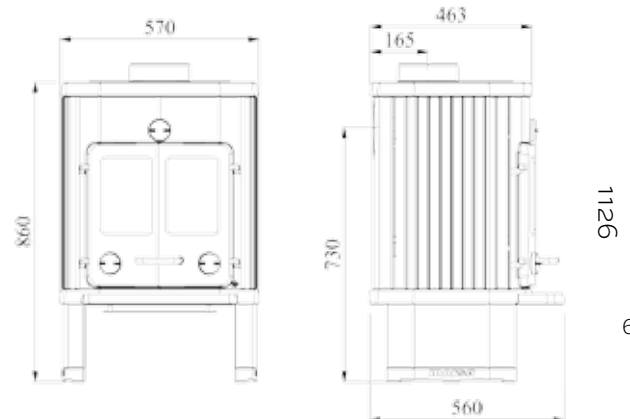
# 1126

Rated output ..... 8 kW  
 Heat output range ..... 5 - 10 kW  
 Heats up ..... 75 - 150 m<sup>2</sup>  
 Chamber size ..... 35 cm  
 Flue exit top/rear fits to ..... Ø150 mm  
 Weight ..... 126 kg  
 Efficiency : ..... 80,7%

Clearance to Combustibles  
 Sides ..... 400 mm  
 Rear ..... 300 mm

Height - Height from base to the center of flue collar  
 1126 ..... 860 mm - 730 mm

Optional outside air kit



## 1400-SERIES (1410/12/42/52)



Rated output ..... 5 kW  
 Heat output range ..... 3 - 5 kW  
 Heats up ..... 45 - 75 m<sup>2</sup>  
 Chamber size ..... 25 cm  
 Flue exit top/rear fits to ..... Ø120 mm  
 Weight ..... 75 - 241 kg  
 Efficiency : ..... 76%

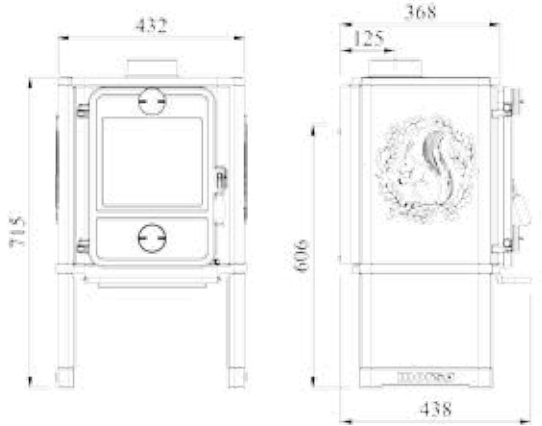
### Clearance to Combustibles

Sides ..... 300 mm  
 Rear ..... 200 mm

### Height - Height from base to the center of flue collar

1410 ..... 703 mm - 594 mm  
 1412 ..... 703 mm - 594 mm  
 1442 ..... 715 mm - 606 mm  
 1452 ..... 785 mm - 595 mm

1442



## 1400-SERIES (1416/18/46/48)



Rated output ..... 5 kW  
 Heat output range ..... 3 - 5 kW  
 Heats up ..... 45 - 75 m<sup>2</sup>  
 Chamber size ..... 25 cm  
 Flue exit top/rear fits to ..... Ø120 mm  
 Weight ..... 71 - 96 kg  
 Efficiency ..... 00%

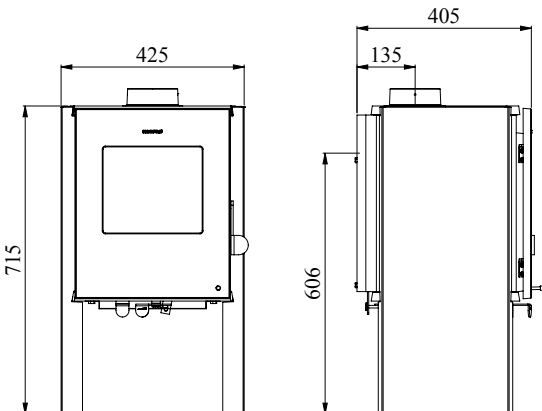
### Clearance to Combustibles

Sides ..... 300 mm  
 Rear ..... 200 mm

### Height - Height from base to the center of flue collar

1416 ..... 703 mm - 594 mm  
 1418 ..... 703 mm - 594 mm  
 1446 ..... 715 mm - 606 mm  
 1448 ..... 715 mm - 606 mm

1446



Prepared for outside air kit for rear and bottom flue exit

## 2B STANDARD

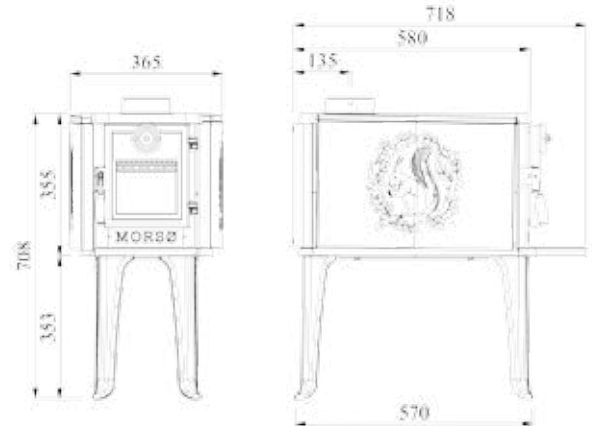
Rated output standard ..... 5 kW  
 Heat output range ..... 3 - 6 kW  
 Heats up ..... 45 - 90 m<sup>2</sup>  
 Chamber size ..... 45 cm  
 Flue exit top fits to ..... Ø120 mm  
 Weight ..... 80 kg  
 Efficiency : ..... 60,9%

### Clearance to Combustibles

Sides ..... 400 mm  
 Rear ..... 300 mm

### Height

2B Standard ..... 708 mm



2B Standard

## 2B CLASSIC

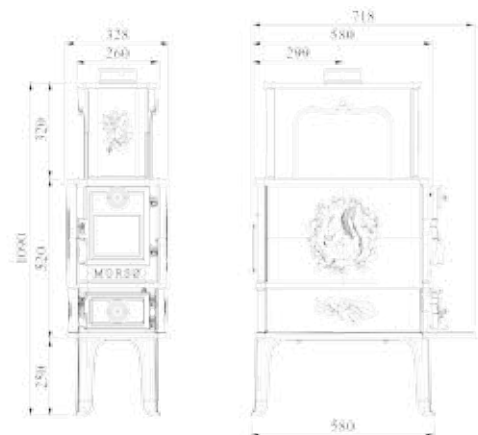
Rated output standard ..... 8 kW  
 Heat output range ..... 6 - 10 kW  
 Heats up ..... 90 - 150 m<sup>2</sup>  
 Chamber size ..... 45 cm  
 Flue exit top fits to ..... Ø120 mm  
 Weight ..... 105 kg  
 Efficiency : ..... 75,2%

### Clearance to Combustibles

Sides ..... 850 mm  
 Rear ..... 400 mm

### Height

2B Classic ..... 1090 mm

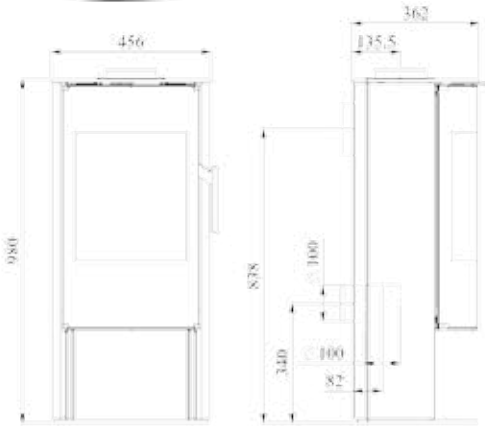


2B Classic

## S10-SERIES



S10-40



Rated output ..... 5 kW  
 Heat output range ..... 3 - 7 kW  
 Heats up ..... 45 - 105 m<sup>2</sup>  
 Chamber size ..... 33 cm  
 Flue exit top/rear fits to ..... Ø150 mm  
 Weight ..... 100 - 169 kg  
 Efficiency : ..... 78,4%

### Clearance to Combustibles

Sides ..... 400 mm  
 Rear ..... 200 mm

### Height - Height from base to the center of flue collar

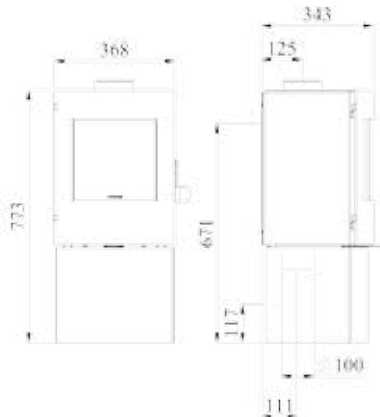
S10-40 ..... 980 mm - 838 mm  
 S10-70 ..... 735 mm - 593 mm

Outside air is possible both from the rear and from the base of the stove.

## S11-SERIES



S11-43



Rated output ..... 4 kW  
 Heat output range ..... 2 - 5 kW  
 Heats up ..... 30 - 75 m<sup>2</sup>  
 Chamber size ..... 25 cm  
 Flue exit top/rear fits to ..... Ø120 mm  
 Weight ..... 73 - 95 kg  
 Efficiency : ..... 83%

### Clearance to Combustibles

Sides ..... 300 mm  
 Rear ..... 240 mm

### Height - Height from base to the center of flue collar

S11-40 ..... 583 mm - 481 mm  
 S11-42 ..... 585 mm - 483 mm  
 S11-43 ..... 773 mm - 671 mm  
 S11-70 ..... 533 mm - 431 mm  
 S11-90 ..... 883 mm - 781 mm

Outside air is possible both from the rear and from the base of the stove.



## S50-SERIES

Rated output ..... 8 kW  
 Heat output range ..... 3 - 9 kW  
 Heats up ..... 45 - 135 m<sup>2</sup>  
 Chamber size ..... 35 cm  
 Flue exit top/rear fits to ..... Ø150 mm  
 Weight ..... 139 - 159 kg  
 Efficiency : ..... 78,3%

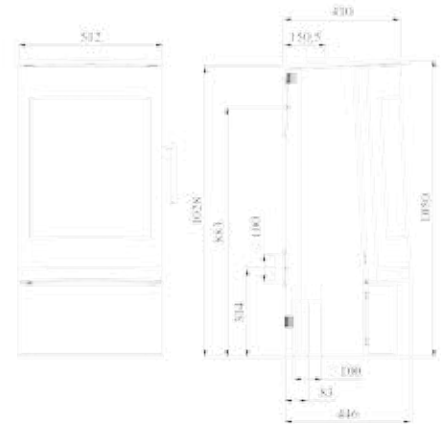
### Clearance to Combustibles

Sides ..... 500 mm  
 Rear ..... 300 mm

### Height - Height from base to the center of flue collar

S50-40 ..... 1050 mm - 883 mm  
 S50-45 ..... 1090 mm - 883 mm

Outside air is possible both from the rear and from the base of the stove.



S50-40

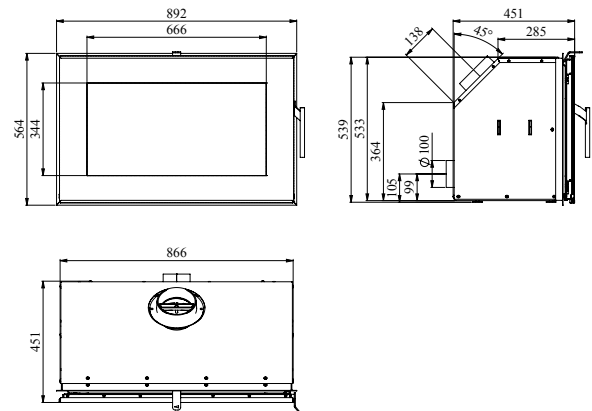
## S80-90

Rated output ..... 7 kW  
 Heat output range ..... 5 - 9 kW  
 Heats up ..... 75 - 135 m<sup>2</sup>  
 Chamber size ..... 67 cm  
 Flue exit top/rear fits to ..... Ø150 mm  
 Weight ..... 124 kg  
 Efficiency : ..... 76,7%

### Clearance to Combustibles

Sides ..... 400 mm  
 Rear ..... 200 mm  
 From floor ..... 300 mm

Outside air is possible from the rear of the stove.



S80-90

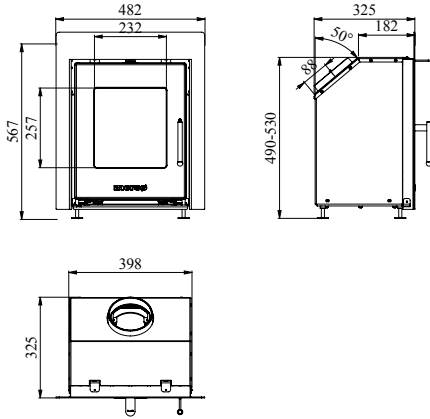
# S81



Rated output..... 4 kW  
Heat output range ..... 2 - 5 kW  
Heats up ..... 30 - 75 m<sup>2</sup>  
Chamber size ..... 25 cm  
Flue exit top/rear fits to..... Ø120 mm  
Weight ..... 60 kg  
Efficiency :..... 88%

### Clearance to Combustibles

Sides ..... 225 mm  
Rear ..... 100 mm  
From floor ..... 150 mm


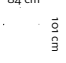
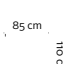
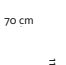
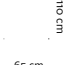

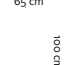
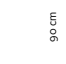
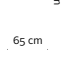





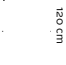

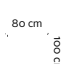
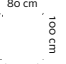

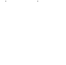





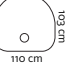



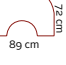
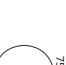

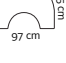
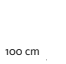
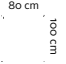
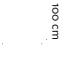
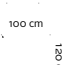

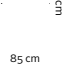
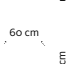
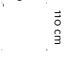





S81

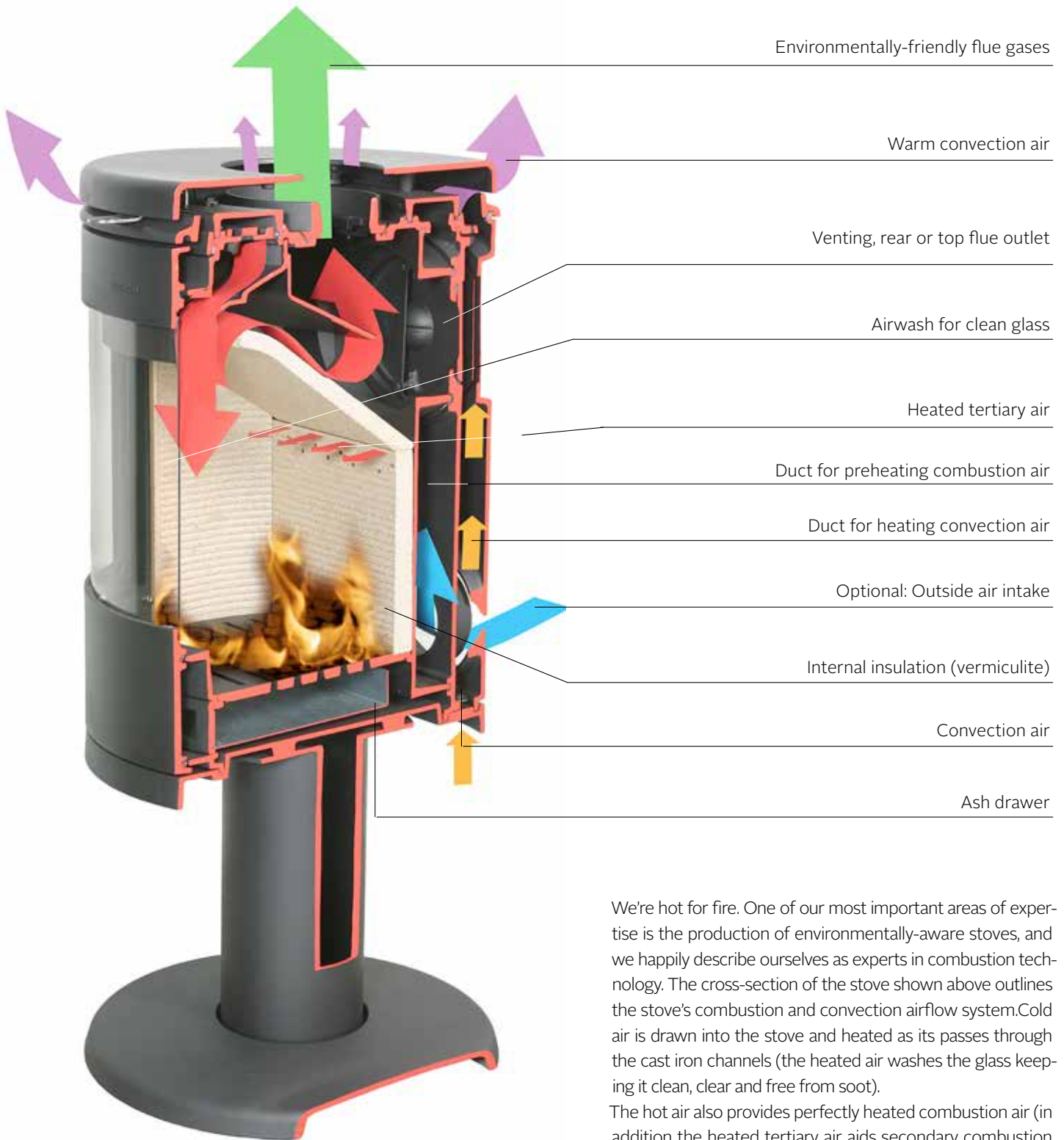
## HEARTH PLATE - 7900 / 7800 / 7400 / 7300



# HEARTH PLATES

		GLASS HEARTH PLATE, 8 MM W/FACETED	MORSØ NO.
		Half-circle, 100 x 120 cm	62919600
		Teardrop shape, 84 x 101 cm	62919000
		Rectangular with arched front, 85 x 110 cm	62919800
		Rectangular for corner, 115 x 70 cm	62919300
		Rectangular for corner, 100 x 65 cm	62919200
		Rectangular, 90 x 70 cm	62918900
		Rectangular, 85 x 65 cm	62918800
		<i>All 8 mm will discontinue when out of stock</i>	
		GLASS HEARTH PLATE, 6 MM W/LOGO	
		Square, 100 x 100 cm	62928100
		Half-circle, 100 x 120 cm	62928200
		Teardrop shape, 110 x 130 cm	62928300
		Rectangular, 80 x 100 cm *	62929100
		Rectangular with arched front, 85 x 110 cm *	62929200
		Circle with straight rear edge, 100 x 90 cm *	62929300
		<i>* without logo</i>	
		MOVABLE GLASS HEARTH PLATE, 6 MM	
		For 61/6800: Half-circle 92 x 69 cm - not for 6140/6148	62928600
		For 6600 - black glass: Glass hearth plate with hole 110 x 103 cm	62929000
		For 6600 - transparent glass: Glass hearth plate without hole 110 x 103 cm	62928400
		For 73/7400: Half-circle 89 x 72 cm - not for 7348/7448	62929400
		For 73/7448: Half-circle 89 x 72 cm	62928800
		For 78/7900: Half-circle 97 x 75 cm - not for 7848/7948	62919900
		For 78/7948: Half-circle 97 x 75 cm	62928700
		Silicone band for glass hearth plates, 4,5 meter	79601700
		BLACK STEEL HEARTH PLATE, 2 MM	
		Rectangular, 80 x 100 cm	62901321
		Square, 100 x 100 cm	62901421
		Half-circle, 100 x 120 cm	62901521
		Teardrop shape, 110 x 130 cm	62901621
		Rectangular with arched front, 85 x 100 cm	62911721
		Circle with straight rear edge, 90 x 100 cm	62917821

# ENVIRONMENTALLY FRIENDLY COMBUSTION



We're hot for fire. One of our most important areas of expertise is the production of environmentally-aware stoves, and we happily describe ourselves as experts in combustion technology. The cross-section of the stove shown above outlines the stove's combustion and convection airflow system. Cold air is drawn into the stove and heated as it passes through the cast iron channels (the heated air washes the glass keeping it clean, clear and free from soot).

The hot air also provides perfectly heated combustion air (in addition the heated tertiary air aids secondary combustion of any smoke and gasses, increasing efficiency and reducing the environmental impact).

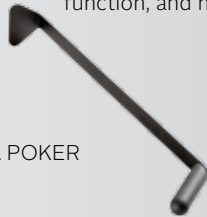


We're hot for fire. One of our most important areas of expertise is the production of environmentally-aware stoves, and we happily describe ourselves as experts in combustion technology.

## ORIGINAL ACCESSORIES



CURVA FIRE TOOLS



CURVA POKER



MORSØ FIREWOOD BUCKET  
LARGE & SMALL

The Morsø Firewood Bucket is painted in a non-gloss powder coating that gives the bucket the same surface finish as a Morsø stove.

Large: H x Ø: 34 x 45 cm.

Small: H x Ø: 32 x 40 cm.



MORSØ CAST IRON HUMIDIFIER

Morsø cast iron kettles are available in two sizes, 2.0 liter or 4.5 liter. Made of enameled cast iron.



SIMPLICIA HUMIDIFIER

The glossy stainless steel handle contrasts to the black enameled cast iron and the grip made of solid rubber makes it safe and comfortable when moving the humidifier under all conditions.

Content 1,5 l.



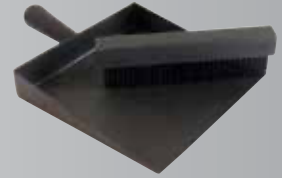
MORSØ FIREWOOD BOX

Height x Width x Length: 30 x 38 x 45 cm.  
Morsø Canvas Wood Carrier is included.



MORSØ CANVAS WOOD CARRIER

Made of black canvas and has sturdy wooden handles.



MORSØ DUSTPAN & BROOM

The dustpan is 20 cm wide and functionally executed with ergonomic rubber handles.



FIREPLACE TOOL SET COMPLETE

Complete Fireplace Tool Set is very well thought out and has clean lines, making it a perfect companion to Morsø's minimalist stoves. The tools are made of quality materials with comfortable rubber grips.  
H: 40 x W: 20 x D: 10,7 cm.



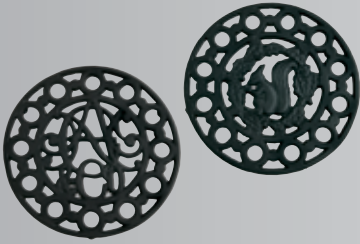
MORSØ FIRE TOOLS CLASSIC

The classic Morsø, with the Morsø squirrel. Height: 69 cm.



MORSØ ASH AND STORAGE BUCKET

This four gallon bucket comes with a tight fitting lid to ensure containment of ashes until all embers are put out.  
Height x Diameter 37 x 30 cm.



MORSØ CAST IRON TRIVET

Two Morsø trivets are available: the Classic Morsø Trivet with the original Morsø trademark from the 18th century monogrammed in the center; and the new Morsø Trivet that features the ever-popular Morsø squirrel.



MORSØ LEATHER GLOVE

This protective glove is made of thick leather. The gloves are available for both left and right hand.



ASSEMBLY AND MAINTENANCE

Owning a stove is a commitment and you must take care of your Morsø stove if you want it to last a long time. In this regard we advise you to use only genuine Morsø materials for installation and regular maintenance.



LOOP LOG RING & FIREPLACE TOOL SET

The Morsø loop Log Ring incorporates a soft rubber handle for carrying comfort and a soft rubber mat/tray. Dimensions: Mat: 62 cm x 38 cm. Loop: ø 50 cm



MORSØ CONFORM FIRE TOOLS

The Morsø Conform Fire Tools, designed by Karsten Aagaard, is a modern version of the Classic Fire Tools, consisting of shovel, broom, and poker.



MORSØ ELLIPSE FIRE TOOLS

Morsø Ellipse Fire tools consist of a brush, shovel, a poker which doubles as a blower pipe and a bucket. The tools are kept in the bucket which is also suitable for gloves and matches. When cleaning out the stove the bucket is also ideal for carrying the ashes. The blower function on the poker is ideal when you want to get extra air during lighting

MORSØ CHILDGUARD

Efficient and elegant, this superbly constructed Morsø accessory is equipped with two side panels and wall fittings. Height x Width x Length: 70 x 110 x 110 cm.



MORSØ HEARTH PLATES

The Morsø black and steel hearth plates are made from 2 mm high-quality steel with a non-gloss finish that matches Morsø stoves. The Morsø glass hearth plate is made with 6/8 mm clear glass that has a specially beveled edge to give the hearth plate an elegant and exclusive look. The steel square and rectangle plates have slightly rounded edges.





By appointment to The Royal Danish Court

**morsø**



2013 / 2014

— 160 YEARS —  
*of special moments*





By appointment to The Royal Danish Court

**morsø**

Macht das Leben wärmer

# I N H A L T

5	Der gusseiserne Ofen – das Original
6	Wählen Sie den richtigen Ofen
8	Morsø's Geschichte
10	Die 8100-Serie
12	Die 7900-Serie
20	Die 7800-Serie
22	Die 7600-Serie
28	Die 7400-Serie
34	Die 6100-Serie
40	5448 & 3640
42	3400 & 3142
44	2140 & 2B classic
46	Die 1400-Serie
51	1126
52	Umweltnormen
54	Sicherheit beim Umgang mit Feuer
56	Morsø und der Umweltschutz
58	Die S10-Serie
61	Die S11-Serie
62	S 1240
63	Die S50-Serie
64	Morsø Living
68	Morsø Originalzubehör



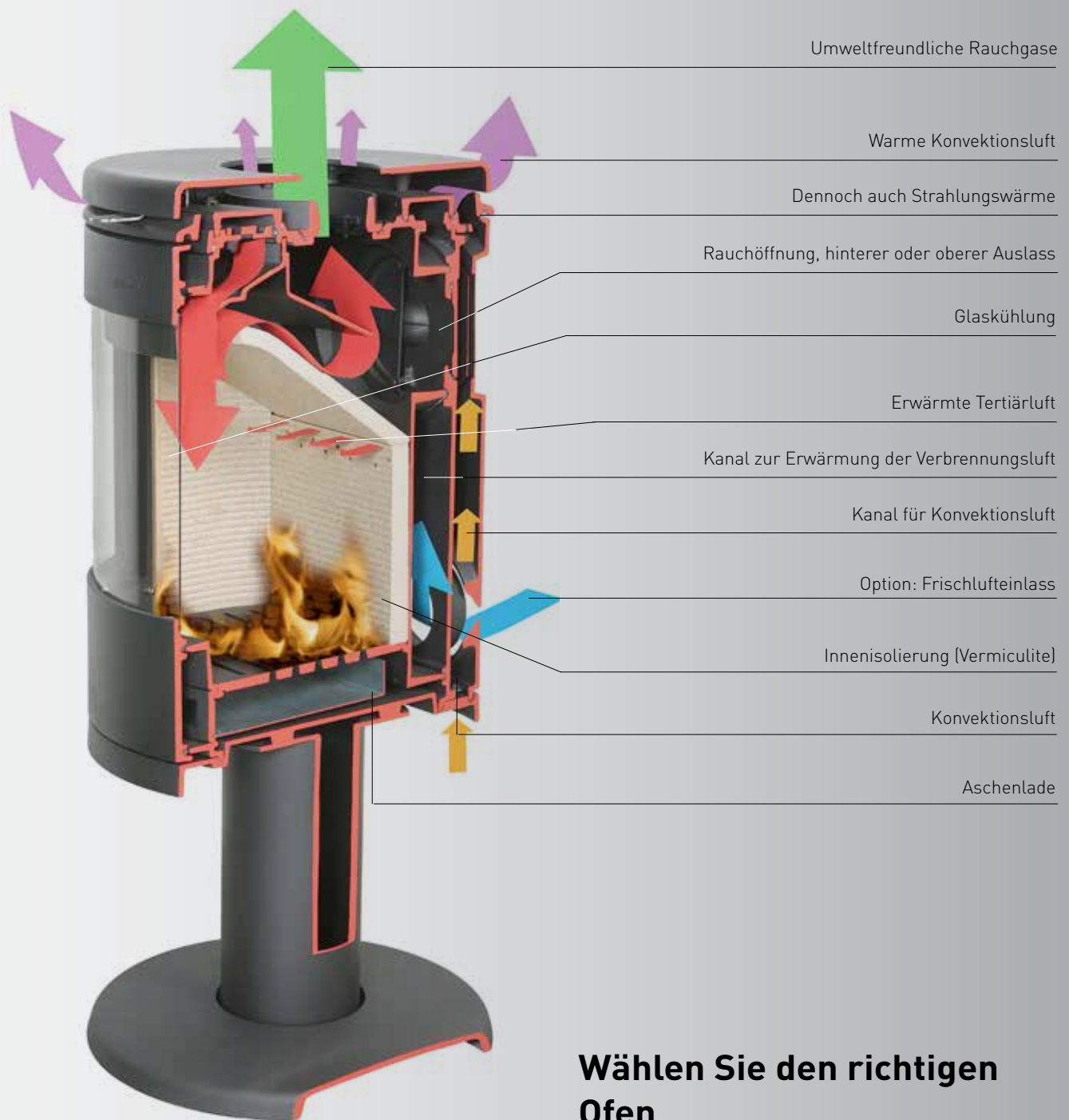
## Der gusseiserne Ofen – das Original

Wenn Sie wahllos 100 Dänen darum bitten würden, eine Ofenmarke zu nennen, würden mit Sicherheit mehr als 90 davon "Morsø" antworten. Und das aus gutem Grund. Seit Generationen gilt Morsø als Inbegriff eines dänischen Kaminofens, zeitlos und modern, effektiv, gemütlich und aus Gusseisen gefertigt.

---

## Wertvoll von Gusseisen zu wissen

- Bei einer Erwärmung kommt es zur Ausdehnung – auch bei Öfen. Gusseisen weist jedoch eine sehr geringe thermische Spannung auf und eignet sich deshalb hervorragend für Anwendungen, bei denen es zu Temperaturschwankungen kommt. Bei den gusseisernen Morsø-Öfen lassen sich bei einer Erwärmung Verdrehungen oder ein Versatz vermeiden.
- Morsø-Öfen werden nicht geschweißt, sondern mit angemessenen Dichtungen versehen und verschraubt. Dadurch werden eine fortwährende perfekte Abdichtung und Einsatzfähigkeit sichergestellt.
- Gusseisen ist extrem beständig gegen Durchbrennen.
- Das für Morsø-Öfen verwendete Gusseisen ermöglicht eine lange Wärmespeicherung.
- Mit Gusseisen wird eine gute Wärmeverteilung geboten, d.h. dass eine behagliche und angenehme Wärme immer von einem Morsø-Ofen abgegeben wird.
- **Morsø gewährt 10 Jahre Garantie auf Guss- und Produktionsfehler – dabei gelten die Garantiebedingungen des Unternehmens.**
- Morsø gewährt 5 Jahre Garantie auf Material- und Fabrikationsfehler bei Stahlblech – dabei gelten die Garantiebedingungen des Unternehmens.



Umweltfreundliche Rauchgase

Warme Konvektionsluft

Dennoch auch Strahlungswärme

Rauchöffnung, hinterer oder oberer Auslass

Glaskühlung

Erwärmte Tertiärluft

Kanal zur Erwärmung der Verbrennungsluft

Kanal für Konvektionsluft

Option: Frischlufteinlass

Innenisolierung (Vermiculite)

Konvektionsluft

Aschenlade

## Wählen Sie den richtigen Ofen

Feuer ist unser Ein und Alles. Wir verfügen über umfangreiche Kenntnisse, was die Herstellung umweltfreundlicher Öfen betrifft und können uns zweifellos als Experten im Bereich Verbrennungstechnologie bezeichnen. Der Querschnitt des Ofens stellt das „Atmungssystem“ dar, über dessen Kanäle eine korrekte Lufterwärmung sichergestellt wird. Kaltluft wird in den Ofen gezogen und zur Erwärmung durch die Kanäle geleitet. Durch die erwärmte Luft wird eine optimale Spülung der Scheiben erreicht und somit sichergestellt, dass das Glas stets sauber und rußfrei bleibt.

Diese erwärmte Luft wird den Flammenspitzen als Tertiärluft zugeführt und ermöglicht somit ein Zünden der Holzgase.

Morsø bietet verschiedene Öfen an, die sich für unterschiedliche Anforderungen eignen.

Obwohl es ganz natürlich ist, einen Ofen nach Durchsicht der verschiedenen Modelle und Designs rein nach Geschmack und Aussehen auszuwählen zu möchten, empfehlen wir Ihnen dennoch, zuerst ein Paar Punkte zu berücksichtigen.

### Strahlungs- oder Konvektionsofen?

Es gibt zwei verschiedene Ofenarten: Strahlungs- und Konvektionsofen. Bei einem Strahlungsofen bleibt die Wärme in Ofenumgebung, während sie bei einem Konvektionsofen schnell im ganzen Raum verteilt wird. Für welche Art Sie sich entscheiden, wird deshalb in großem Maße davon abhängen, welchem Zweck Ihr Ofen dienen soll. Wenn Ihnen Gemütlichkeit und Wärme in Ofennähe wichtig sind, stellt ein



Strahlungsöfen eine gute Wahl dar. Wenn der Ofen jedoch als primäre Heizquelle für einen großen Raum eingesetzt werden soll, sollten Sie sich für einen Konvektionsofen entscheiden. Bei unseren Öfen dieses Typs brauchen Sie auf den Vorteil angenehmer Strahlungswärme dennoch nicht zu verzichten, da „doppelwandige Gussöfen“ - materialbedingt - immer auch einen hohen Strahlungsanteil haben.

#### **Welche Größe?**

Die Größe Ihres Ofens spielt eine wichtige Rolle, wenn es darum geht, aus Ihrer Investition das Beste herauszuholen. In dieser Hinsicht können sich sowohl durch einen zu großen als auch einen zu kleinen Ofen Probleme ergeben. Ein zu kleiner Ofen wird einen Raum nicht ausreichend heizen können. Wird jedoch ein im Verhältnis zum Raum zu großer Ofen gekauft, werden Sie ständig die Luftzufuhr unterbrechen müs-

sen, um zu vermeiden, dass die Zimmertemperatur zu hoch wird. Dies würde wiederum eine unvollständige Verbrennung verursachen und an der Scheibe und im Schornstein schnell zu Rußansammlungen führen.

Außerdem würde die Menge der in die Atmosphäre abgegebenen Rußpartikel unverhältnismäßig höher sein.

Neben jedem der in diesem Magazin aufgeführten Öfen werden die Raummaße angegeben, für die sich die Öfen jeweils am besten eignen. Diese Maße dienen jedoch nur als Richtschnur, da die geeignete Ofengröße auch von der Anordnung und der Isolierung usw. des Wohnraums abhängt.

**Alle Morsø Öfen, die heute gekauft werden, erfüllen alle die 2. Stufe der 1. BImSchV.**

## Eine lange Geschichte - kurz erzählt



Morsø Jernstøberis Geschichte geht bis zum Jahre 1853 zurück, als N. A. Christensen nach einer kaufmännischen Ausbildung auf der Insel Mors im Limfjord seine eigene Eisengießerei gründete. In den ersten paar Jahren bestand die Eisengießerei aus nur einer Handvoll Mitarbeiter und lieferte alles, was aus Gusseisen hergestellt werden konnte - von Stallfenstern über Grabkreuze und Herde bis zu Töpfen und Pfannen.

N. A. Christensen war jedoch kein gewöhnlicher Geschäftsmann. Aufgrund seines gut entwickelten Talents für Handelsgeschäfte und seiner zahlreichen kreativen und vorausdenkenden Ideen gelang es ihm innerhalb kurzer Zeit, sein Unternehmen in eine der führenden Eisengießereien Dänemarks zu verwandeln. Bereits gegen Ende des 19. Jahrhunderts waren Morsøs gusseiserne Erzeugnisse im ganzen Land bekannt. Dies traf insbesondere auf die beliebten freistehenden Öfen und Herde zu, die mittlerweile zu den wichtigsten Produkten des Unternehmens geworden waren.

### **Lieferant an den königlichen Hof**

Zur vorletzten Jahrhundertwende begann Morsø, Heizsysteme an Kirchen, Schulen und zahlreiche öffentliche Gebäude, darunter auch die Staatsbahn und verschiedene Ministerien, zu liefern. Zu Beginn des 20. Jahrhunderts wurden die beliebten Öfen im Empire-stil sogar auf Schloss Amalienborg aufgestellt. Bis 1915 wurden schon mehrere Öfen an die Palais auf Amalienborg und an mehrere andere königliche Wohnungen geliefert, was dem Unternehmen dazu verhalf, von König Christian X das Prädikat „Lieferant seiner Majestät des Königs“ zu erhalten. 1969 wurde dies auf „Lieferant des dänischen Königshofs“ umbenannt.



### Stets an der Spitze

Entwicklung und Innovation sind bei Morsø Jernstøberi schon immer eine treibende Kraft gewesen. Mehrere revolutionäre Produkte und Verfahren haben deshalb der wunderschönen Insel Mors im Limfjord zu Ansehen und Bekanntheit verholfen. Ein Beispiel hier-für ist das Konvektionsprinzip, das während der letzten Jahrhundertwende in Zusammen-arbeit mit anderen Gießereien entwickelt wurde und vollständig neue Standards setzen konnte, was die effiziente und komfortable Heizung mit Festbrennstofföfen betrifft.

Als während der fünfziger Jahre Zentralheizungen modern wurden, wurden auch in Dänemark umfangreich Heizkörper installiert, was dazu führte, dass Festbrennstofföfen aus der Mode kamen. Aber dann führte Morsø mit dem offenen Kaminofen 1122 einmal mehr eine revolutionäre Neuheit ein. Damit gelang es Morsø, einen völlig neuen Markt zu erschließen und eine vollständig neue Heizungs-methode einzuführen, die nicht nur Räume, sondern auch Herzen erwärmen konnte.

Zusammenfassend lässt sich sagen, dass es Morsø schon immer gelang, Schritt für Schritt eine Vorreiterrolle zu spielen, sowohl in Bezug auf neue Designs als auch hinsichtlich der Fähigkeit, neue Methoden zu entwickeln, mit denen sich eine optimale Kombination aus Form und Funktion, Effizienz, Ästhetik und Komfort und in den letzten Jahren auch Umweltbewusstsein erzielen lässt.



# 8100

Die **Morsø 8100-Serie** umfasst 5 gusseiserne Öfen, die für das Kaminofen-Design in funktioneller und ästhetischer Hinsicht neue Standards setzen. Die Serie wurde in einem klaren, schlichten Design gefertigt, wobei die Kombination aus weichen Rundungen und schlichten Details den Öfen ein leichtes und zeitloses Aussehen vermittelt, das sicherstellt, dass der Anblick Ihres klassischen, wunderschönen Ofens auch nach mehreren Jahrzehnten noch ein Genuss ist. Darüber hinaus wird durch die grobe, lebendige Struktur des Gusseisens den Öfen eine rustikale und exklusive Note verliehen. Dank der bei der Arbeit mit Gusseisen möglichen Flexibilität konnten eine ganze Reihe raffinierter Ofendetails realisiert werden, die mit Gewissheit Ihr Herz höher schlagen lassen werden. Die Morsø 8100-Serie ist auch auf einem Säulenpodest erhältlich (8148), was dem Ofen eine luftige und elegante Note verleiht. Die große Glasfläche gewährt gleichzeitig einen fantastischen Blick auf die tanzenden Flammen.



## 8142

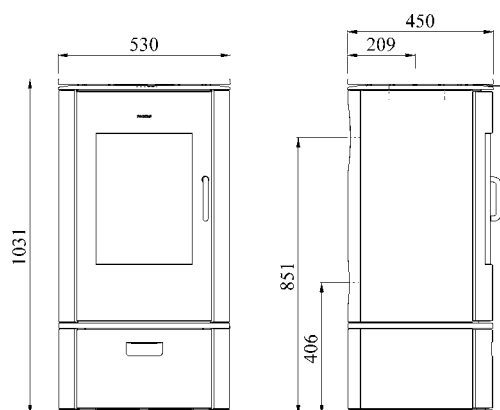


DIN/EN-geprüft 15a B-VG

Nominelle Leistung	7 kW
Abst. zu brennbarem Material, hinten	150 mm
Abst. zu brennbarem Material, seitlich	500 mm
Betriebsleistung	3-8 kW
*Heizvermögen	45-120 m <sup>2</sup>
Rauchabgang oben/hinten	Ø 150 mm
Gewicht	178 kg
Brennholzlänge max.	33 cm
Wirkungsgrad %	81,1
Feinstaub	23 mg/m <sup>3</sup>
Mittlere Abgastemp.	325
Abgasmassenstrom	5,7
Mittlere Förderdruck P (pa)	12

Der Ofen hat hinten einen Stutzen für Frischluftzufuhr montiert.

\*Bei einer Raumhöhe von max. 250 cm.





**Morsø 8100-Serie** Verstand und Gefühle lassen sich in Eisen gießen. Bei der Morsø 8100-Serie wurden Ästhetik und Funktion in einem vereint, da die Öfen dank ihres schlichten Designs nicht nur wunderschön aussehen, sondern auch einfach und logisch bedienbar sind. Der Lufteinlass der Öfen, und somit deren Verbrennung und Wärme, wird über einen einfachen, diskreten Griff geregelt. Morsø setzt sich für eine möglichst geringe Umweltbelastung ein. So erfüllt die Serie Morsø 8100 beispielsweise weltweit strengste Umweltnormen, darunter auch die norwegische Norm NS 3058/59. Außerdem haben bei Morsø eine Zertifizierung mit dem Umweltsiegel „Nordischer Schwan“ und eine möglichst hohe Effizienz Priorität. Die 8150 Ausführung aus Speckstein verleiht den Öfen einen anderen Look und sorgt außerdem für eine noch längere Speicherung der angenehmen Wärme.

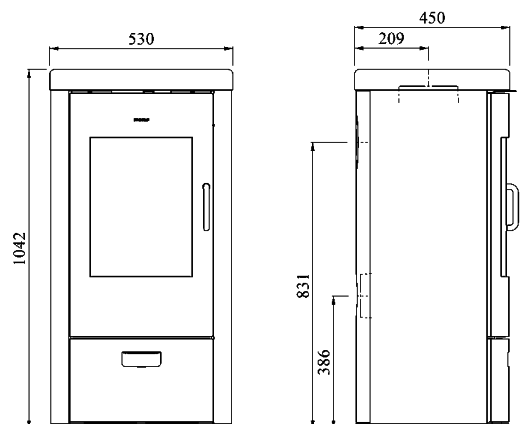
### 8150



DIN/EN-geprüft 15a B-VG

- Nominelle Leistung . . . . . 7 kW
  - Abst. zu brennbarem Material, hinten . . . 150 mm
  - Abst. zu brennbarem Material, seitlich . . . 500 mm
  - Betriebsleistung . . . . . 3-8 kW
  - \*Heizvermögen . . . . . 45-120 m<sup>2</sup>
  - Rauchabgang oben/hinten . . . . . Ø 150 mm
  - Gewicht . . . . . 247 kg
  - Brennholzlänge max. . . . . 33 cm
  - Wirkungsgrad % . . . . . 81,1
  - Feinstaub . . . . . 23 mg/m<sup>3</sup>
  - Mittlere Abgastemp . . . . . 325
  - Abgasmassenstrom . . . . . 5,7
  - Mittlere Förderdruck P (pa) . . . . . 12
- Der Ofen hat hinten einen Stutzen für Frischluftzufuhr montiert.

\*Bei einer Raumhöhe von max. 250 cm.



**Morsø 7900 serie - eine wahl fürs leben...**





MORSØ 7943

# 7900



Mit der **Morsø 7900-Serie** hat Morsø eine ganz neue Ofenserie geschaffen, die sich mit ihrem klaren Design in die meisten Wohnungen einfügt. Eine Ofenserie, bei der selbst das kleinste Detail von einem unermüdlichen Einfühlungsvermögen und dem Willen kündigt, die Vielfalt zu erfassen. Morsø ist im unermüdlichen und kompromisslosen Bestreben, das Feuer zu einem natürlichen, dekorativen und ästhetisch integrierten Teil der Gemütlichkeit und der Wärme in unserem Zuhause zu machen, noch einen Schritt weiter gegangen. Monica Ritterband hat einen durchgedachten Ofen geschaffen - mit Liebe bis ins kleinste Detail.

## 7940



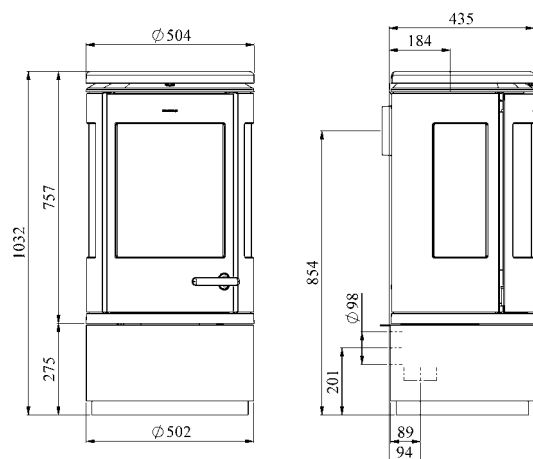
DIN/EN-geprüft 15a B-VG

Nominelle Leistung	7,3 kW
Abst. zu brennbarem Material, hinten	125 mm
Abst. zu brennbarem Material, seitlich	700 mm
Mittlere Förderdruck P (pa)	12
Betriebsleistung	3-8 kW
Heizvermögen*	45-120 m <sup>2</sup>
Rauchabgang oben/hinten	Ø 150 mm
Gewicht	152 kg
Brennholzlänge max	33 cm
Wirkungsgrad %	79
Feinstaub	7 Mg/Nm <sup>3</sup>
Abgasmassenstrom	7,0
Abgastemperatur	283°C

Frischluftzufuhr ist von hinten oder vom Boden möglich. Das Gerät für Frischluftzufuhr kann als Sonderzubehör gekauft werden.

\*Bei Raumhöhe von 2,5 m

RLU möglich





7943 med skuffe

Mit den sehr großen Fenstern an der Front und den Seiten des Ofens wird das lebendige Spiel der Flammen ganz natürlich in die Umgebung integriert, weil man das Feuer sieht, wo immer man sich im Raum befindet, auch von der Seite.

## 7943



DIN/EN-geprüft 15a B-VG

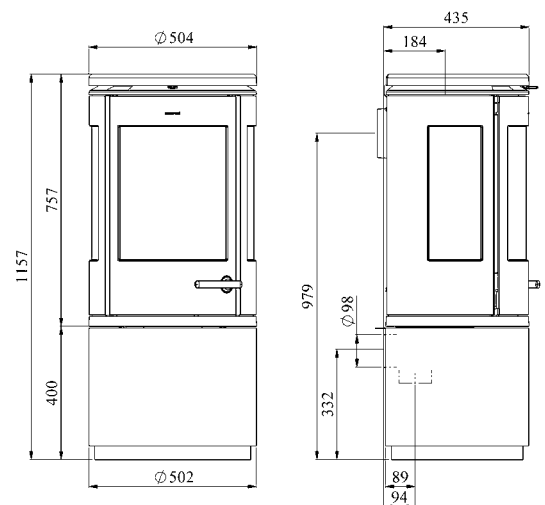
Nominelle Leistung	7,3 kW
Abst. zu brennbarem Material, hinten	125 mm
Abst. zu brennbarem Material, seitlich	700 mm
Mittlere Förderdruck P (pa)	12
Betriebsleistung	3-8 kW
Heizvermögen*	45-120 m <sup>2</sup>
Rauchabgang oben/hinten	Ø 150 mm
Gewicht	162 - 174 kg
Brennholzlänge max	33 cm
Wirkungsgrad %	79
Feinstaub	7 Mg/Nm <sup>3</sup>
Abgasmassenstrom	7,0
Abgastemperatur	283°C

Frischluftzufuhr ist von hinten oder vom Boden möglich. Das Gerät für Frischluftzufuhr kann als Sonderzubehör gekauft werden.

\*Bei Raumhöhe von 2,5 m

RLU möglich

Morsø 7943 ist mit glattem Sockel, mit Schublade oder Holzfach erhältlich



7900



**7943 mit Shublade und niedrigem Topmodul**

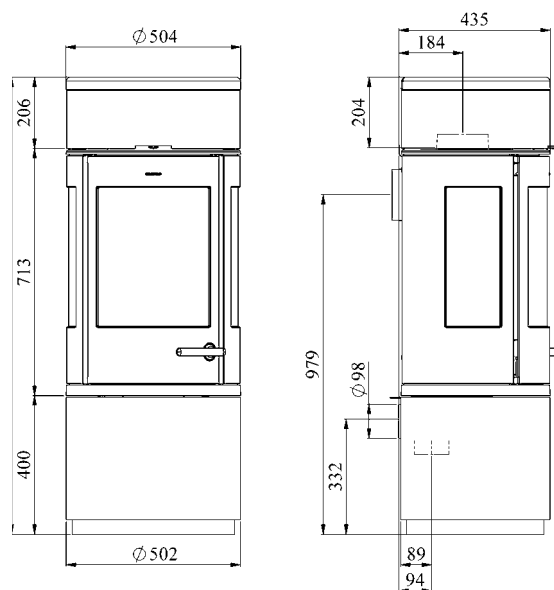


DIN/EN-geprüft 15a B-VG

- Nominelle Leistung . . . . . 7,3 kW
  - Abst. zu brennbarem Material, hinten . . . . . 125 mm
  - Abst. zu brennbarem Material, seitlich . . . . . 700 mm
  - Mittlere Förderdruck P (pa) . . . . . 12
  - Betriebsleistung . . . . . 3-8 kW
  - Heizvermögen\* . . . . . 45-120 m<sup>2</sup>
  - Rauchabgang oben/hinten . . . . . Ø 150 mm
  - Gewicht . . . . . 175 kg
  - Brennholzlänge max . . . . . 33 cm
  - Wirkungsgrad % . . . . . 79
  - Feinstaub . . . . . 7 Mg/Nm<sup>3</sup>
  - Abgasmassenstrom . . . . . 7,0
  - Abgastemperatur . . . . . 283°C
- Frischluftzufuhr ist von hinten oder vom Boden möglich. Das Gerät für Frischluftzufuhr kann als Sonderzubehör gekauft werden.

\*Bei Raumhöhe von 2,5 m

RLU möglich





**Morsø 7948** hebt die Brennkammer, umschlossen von spektakulären Seiten- und Frontglaspartien, mit eleganter Leichtigkeit nach oben. Als einziges 7900 Modell gibt es den Morsø 7948 sowohl in einer schwarzen als auch einer braunen Ausführung. Morsø ist es gelungen, dem Gusseisen mit der warmen, braunen Farbe eine weiche und lebendige Nuance zu verleihen, die das goldene Flammenbild des Feuers ansprechend unterstreicht.

### 7948

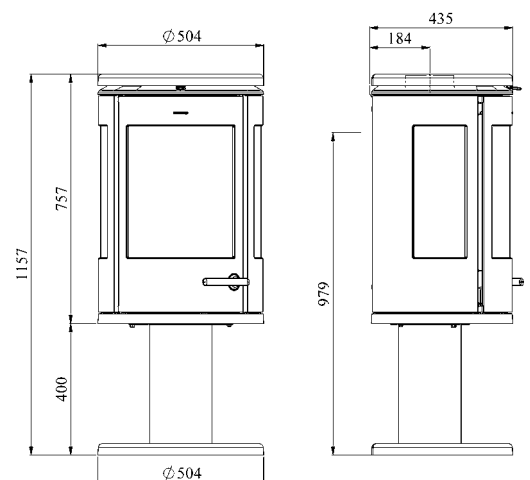


DIN/EN-geprüft 15a B-VG

Nominelle Leistung	7,3 kW
Abst. zu brennbarem Material, hinten	125 mm
Abst. zu brennbarem Material, seitlich	700 mm
Mittlere Förderdruck P (pa)	12
Betriebsleistung	3-8 kW
Heizvermögen*	45-120 m <sup>2</sup>
Rauchabgang oben/hinten	Ø 150 mm
Gewicht	156 kg
Brennholzlänge max	33 cm
Wirkungsgrad %	79
Feinstaub	7 Mg/Nm <sup>3</sup>
Abgasmassenstrom	7,0
Abgastemperatur	283°C

Für 7948 ist Frischluftzufuhr nicht möglich

\*Bei Raumhöhe von 2,5 m





# 7900



Die **Morsø 7900-Serie** erscheint leicht und elegant, gleichgültig für welche Modulkombination des Ofens man sich entscheidet. Das beruht nicht zuletzt darauf, dass der minimalistischen Sockel den Ofen auch visuell anzuheben vermocht hat, so dass das gediegene und solide Gusseisen als leicht erscheint - ja, fast als schwebend.

## 7990



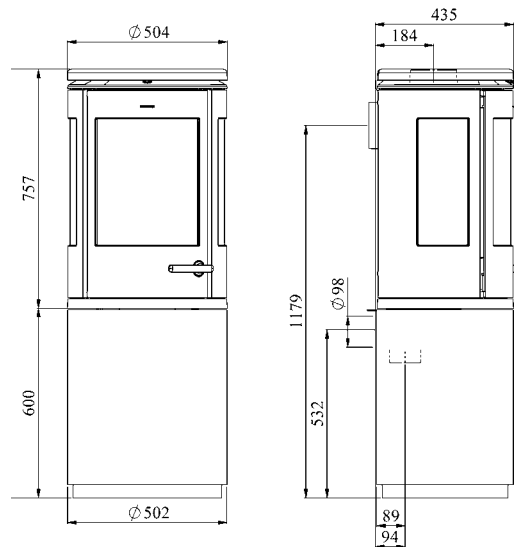
DIN/EN-geprüft 15a B-VG

Nominelle Leistung	7,3 kW
Abst. zu brennbarem Material, hinten	125 mm
Abst. zu brennbarem Material, seitlich	700 mm
Mittlere Förderdruck P (pa)	12
Betriebsleistung	3-8 kW
Heizvermögen*	45-120 m <sup>2</sup>
Rauchabgang oben/hinten	Ø 150 mm
Gewicht	175 - 187 kg
Brennholzlänge max	33 cm
Wirkungsgrad %	79
Feinstaub	7 Mg/Nm <sup>3</sup>
Abgasmassenstrom	7,0
Abgastemperatur	283°C

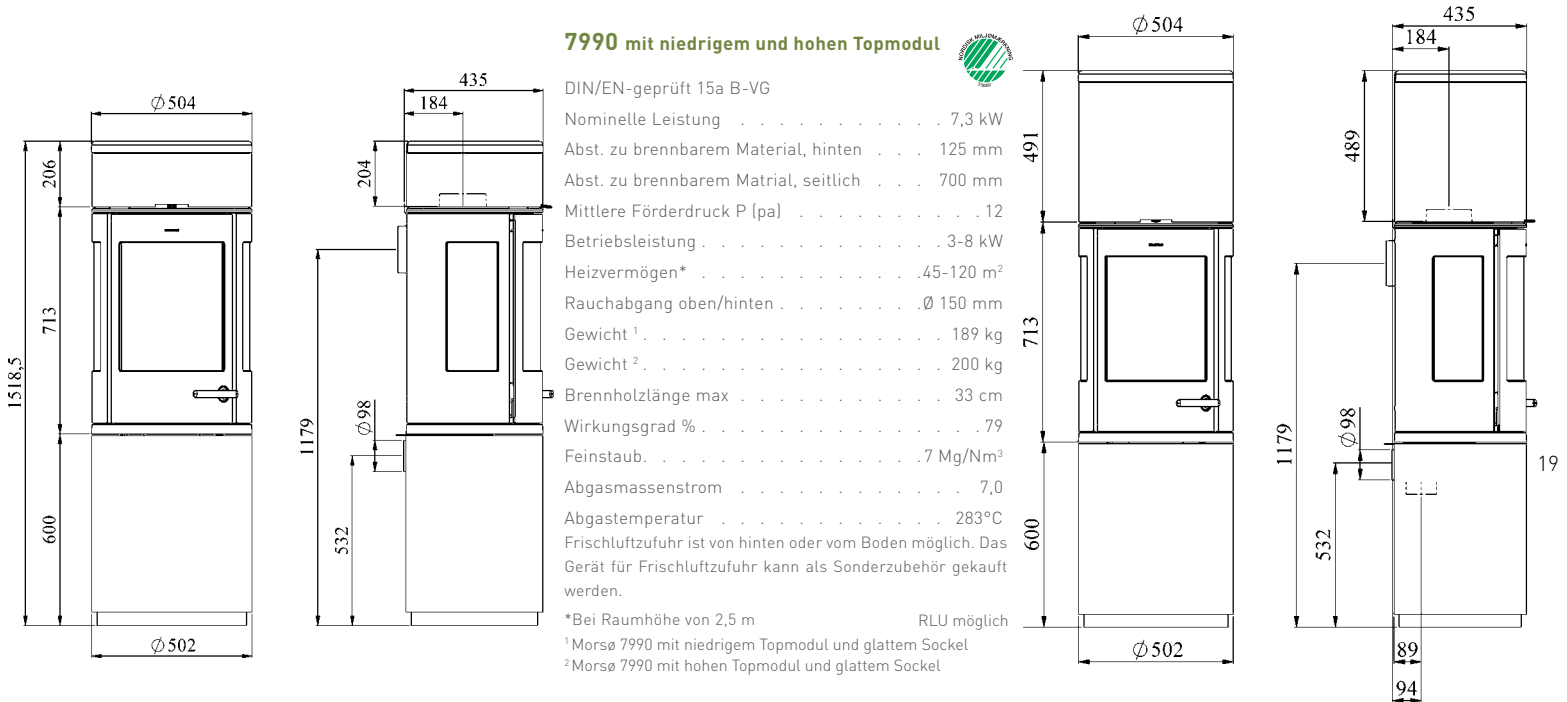
Frischluftzufuhr ist von hinten oder vom Boden möglich. Das Gerät für Frischluftzufuhr kann als Sonderzubehör gekauft werden.

\*Bei Raumhöhe von 2,5 m

RLU möglich



Morsø 7990 ist auch mit Schublade, Holzfach oder glattem Sockel erhältlich



7800

NEUIGKEITEN



Morsø 7800

Mit passender Glas-Vorlegeplatte für 7800 & 7900 - 96x75 cm

Die **Morsø 7800-Serie** ist ein Ofen, welcher aus verschiedenen Modulen besteht. In klarem und einfachem Design mit gut proportionierten Maßen die dem Ofen ein klassisches und zeitloses Aussehen verleihen. Den letzten Schliff bekommt der Ofen vom neu gestalteten, legendärem Eichhörnchen, welches mit seiner Platzierung die lebende Struktur und exklusive Ausstrahlung des Ofens unterstreicht.



Das "neu gestaltet" Eichhörnchen schmückt die matt schwarze Seite des Kaminofens und unterstreicht dessen edlen Look und solides Aussehen



Morsø 7890 mit glattem Sockel

### 7840 / 7843 / 7890



DIN/EN-geprüft 15a B-VG

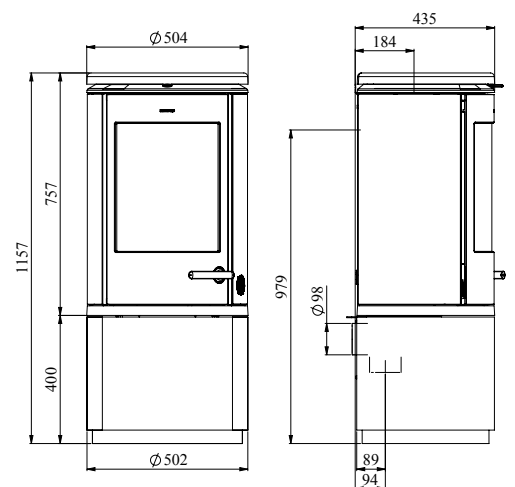
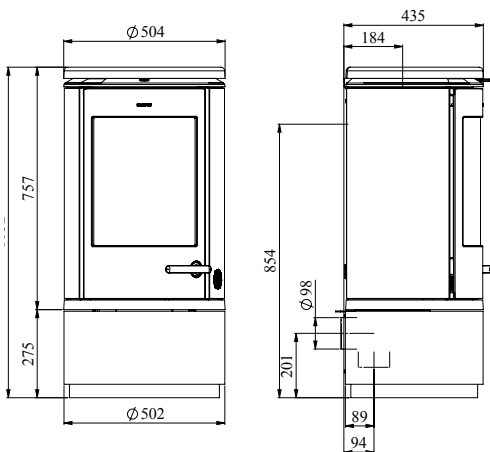
- Nominelle Leistung . . . . . 7,3 kW
  - Abst. zu brennbarem Material, hinten . . . . . 125 mm
  - Abst. zu brennbarem Material, seitlich . . . . . 400 mm
  - Mittlere Förderdruck P (pa) . . . . . 12
  - Betriebsleistung . . . . . 3-8 kW
  - Heizvermögen\* . . . . . 45-120 m<sup>2</sup>
  - Rauchabgang oben/hinten . . . . . Ø 150 mm
  - Gewicht . . . . . 154 / 164 - 178 kg
  - Brennholzlänge max . . . . . 33 cm
  - Wirkungsgrad % . . . . . 79
  - Feinstaub . . . . . 7 Mg/Nm<sup>3</sup>
  - Abgasmassenstrom . . . . . 7,0
  - Abgastemperatur . . . . . 283°C
- Frischluftzufuhr ist von hinten oder vom Boden möglich. Das Gerät für Frischluftzufuhr kann als Sonderzubehör gekauft werden.

\*Bei Raumhöhe von 2,5 m

RLU möglich

Morsø 7843

Morsø 7840



7600



7642



DIN/EN-geprüft 15a B-VG

Nominelle Leistung . . . . .  
6,2 kW

Abst. zu brennbarem Material, hinten . . . 150 mm

Abst. zu brennbarem Material, seitlich . . . 350 mm

Betriebsleistung . . . . . 3-8 kW

\*Heizvermögen . . . . . 45-120 m<sup>2</sup>

Rauchabgang oben/hinten . . . . . Ø 150 mm

Gewicht . . . . . 157 kg

Brennholzlänge max. . . . . 33 cm

Wirkungsgrad % . . . . . 78,7

Feinstaub . . . . . 21 mg/m<sup>3</sup>

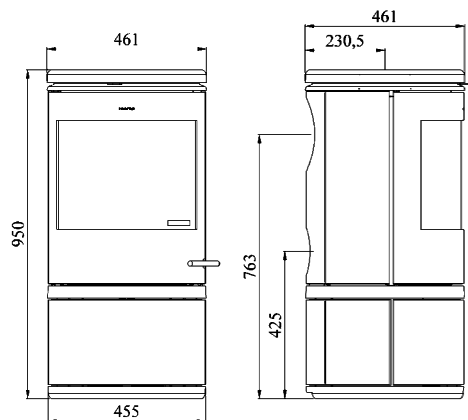
Mittlere Abgastemp . . . . . 335

Abgasmassenstrom . . . . . 5,3

Mittlere Förderdruck P [pa] . . . . . 12

Der Ofen hat hinten einen Stutzen für Frischluftzufuhr montiert.

\*Bei einer Raumhöhe von max. 250 cm.



”Ich wollte einen Ofen mit organisch abgerundeten Formen entwerfen. Der Ofen sollte kreisrund sein und einen weichen, sanften und femininen Ausdruck haben. Gleichzeitig sollte er aber auch einen gigantischen Einblick aufs eigentliche Feuer gewähren.”

Monica Ritterband, Künstlerin und Designerin

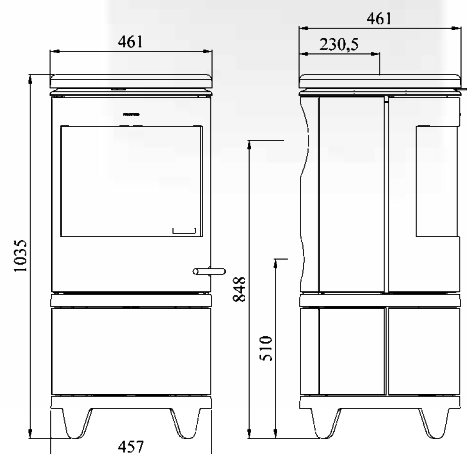


**7644**



- DIN/EN-geprüft 15a B-VG
- Nominelle Leistung . . . . . 6,2 kW
- Abst. zu brennbarem Material, hinten . . . 150 mm
- Abst. zu brennbarem Material, seitlich . . 350 mm
- Betriebsleistung . . . . . 3-8 kW
- \*Heizvermögen . . . . . 45-120 m<sup>2</sup>
- Rauchabgang oben/hinten . . . . . Ø 150 mm
- Gewicht . . . . . 158 kg
- Brennholzlänge max. . . . . 33 cm
- Wirkungsgrad % . . . . . 78,7
- Feinstaub . . . . . 21 mg/m<sup>3</sup>
- Mittlere Abgastemp . . . . . 335
- Abgasmassenstrom . . . . . 5,3
- Mittlere Förderdruck P (pa) . . . . . 12
- Der Ofen hat hinten einen Stutzen für Frischluftzufuhr montiert.

\*Bei einer Raumhöhe von max. 250 cm.



# 7600



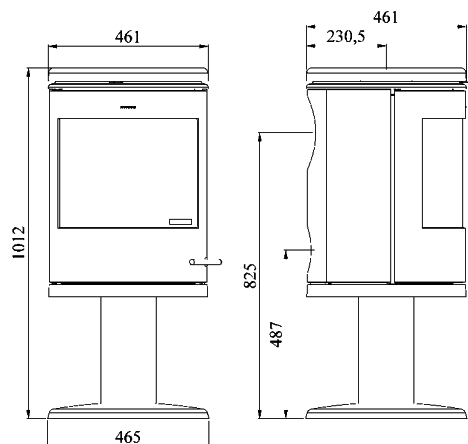
Die **Morsø 7600-Serie** wurde von Monica Ritterband entworfen, eine der fragtesten zeitgenössischen Designerinnen Dänemarks. Monica Ritterband ist für ihre bahnbrechenden Designs bekannt, die alle auf einzigartigen Universen und ganz speziellen organischen Formensprachen und Linien basieren. Und so tritt auch die Morsø Serie 7600 in Erscheinung: ganz eigen in ihrer kreisrunden Form, mit runden femininen Übergängen und einer großen Glasscheibe – der größten in Morsøs Geschichte überhaupt.

## 7648



DIN/EN-geprüft 15a B-VG

- Nominelle Leistung . . . . . 6,2 kW
  - Abst. zu brennbarem Material, hinten . . . 150 mm
  - Abst. zu brennbarem Material, seitlich . . . 350 mm
  - Betriebsleistung . . . . . 3-8 kW
  - \*Heizvermögen . . . . . 45-120 m<sup>2</sup>
  - Rauchabgang oben/hinten . . . . . Ø 150 mm
  - Gewicht . . . . . 136 kg
  - Brennholzlänge max . . . . . 33 cm
  - Wirkungsgrad % . . . . . 78,7
  - Feinstaub . . . . . 21 mg/m<sup>3</sup>
  - Mittlere Abgastemp . . . . . 335
  - Abgasmassenstrom . . . . . 5,3
  - Mittlere Förderdruck P (pa) . . . . . 12
- Der Ofen hat hinten einen Stutzen für Frischluftzufuhr montiert.



\*Bei einer Raumhöhe von max. 250 cm.

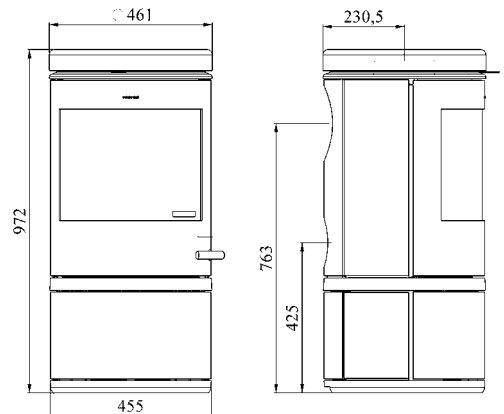


Dank des schönen und dekorativen Specksteins bleibt der **Morsø 7650** noch lange warm.

**7650**



- DIN/EN-geprüft 15a B-VG
  - Nominelle Leistung . . . . . 6,2 kW
  - Abst. zu brennbarem Material, hinten . . . 150 mm
  - Abst. zu brennbarem Material, seitlich . . 350 mm
  - Betriebsleistung . . . . . 3-8 kW
  - \*Heizvermögen . . . . . 45-120 m<sup>2</sup>
  - Rauchabgang oben/hinten . . . . . Ø 150 mm
  - Gewicht . . . . . 205 kg
  - Brennholzlänge max . . . . . 33 cm
  - Wirkungsgrad % . . . . . 78,7
  - Feinstaub . . . . . 21 mg/m<sup>3</sup>
  - Mittlere Abgastemp . . . . . 335
  - Abgasmassenstrom . . . . . 5,3
  - Mittlere Förderdruck P (pa) . . . . . 12
- Der Ofen hat hinten einen Stutzen für Frischluftzufuhr montiert.
- \*Bei einer Raumhöhe von max. 250 cm.





7600



redd design award



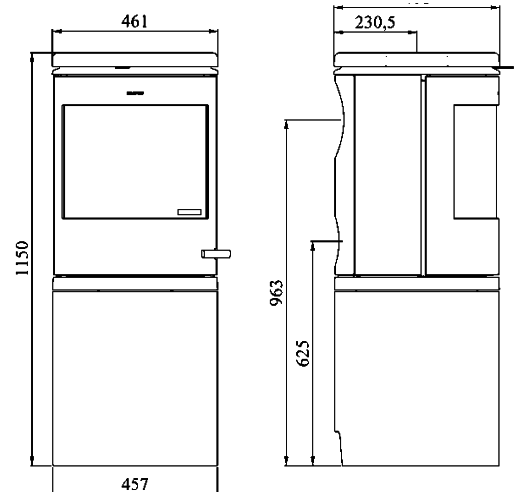
7690 mit Edelstahlverzierungen

7690



- DIN/EN-geprüft 15a B-VG
- Nominelle Leistung . . . . . 6,2 kW
- Abst. zu brennbarem Material, hinten . . . . . 150 mm
- Abst. zu brennbarem Material, seitlich . . . . . 350 mm
- Betriebsleistung . . . . . 3-8 kW
- \*Heizvermögen . . . . . 45-120 m<sup>2</sup>
- Rauchabgang oben/hinten . . . . . Ø 150 mm
- Gewicht . . . . . 157 kg
- Brennholzlänge max. . . . . 33 cm
- Wirkungsgrad % . . . . . 78,7
- Feinstaub . . . . . 21 mg/m<sup>3</sup>
- Mittlere Abgastemp. . . . . 335
- Abgasmassenstrom . . . . . 5,3
- Mittlere Förderdruck P (pa) . . . . . 12

Der Ofen hat hinten einen Stutzen für Frischluftzufuhr montiert.  
\*Bei einer Raumhöhe von max. 250 cm.



# 7690 mit Wärmespeichern



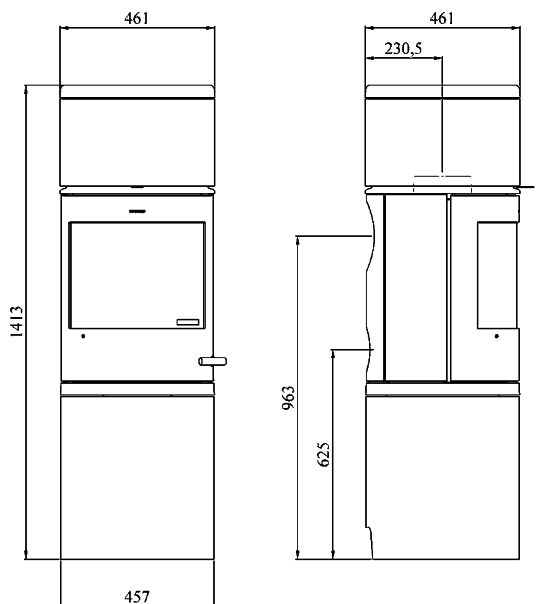
Mit der Wärmespeicherfunktion des Modells 7600 haben wir dafür gesorgt, dass die Wärme noch viele Stunden nach dem Erlöschen des Kaminfeuers ausgestrahlt wird. Die in der Brennkammer erzeugte Wärme sammelt sich in den Wärmespeichersteinen oben auf dem Kaminofen an.



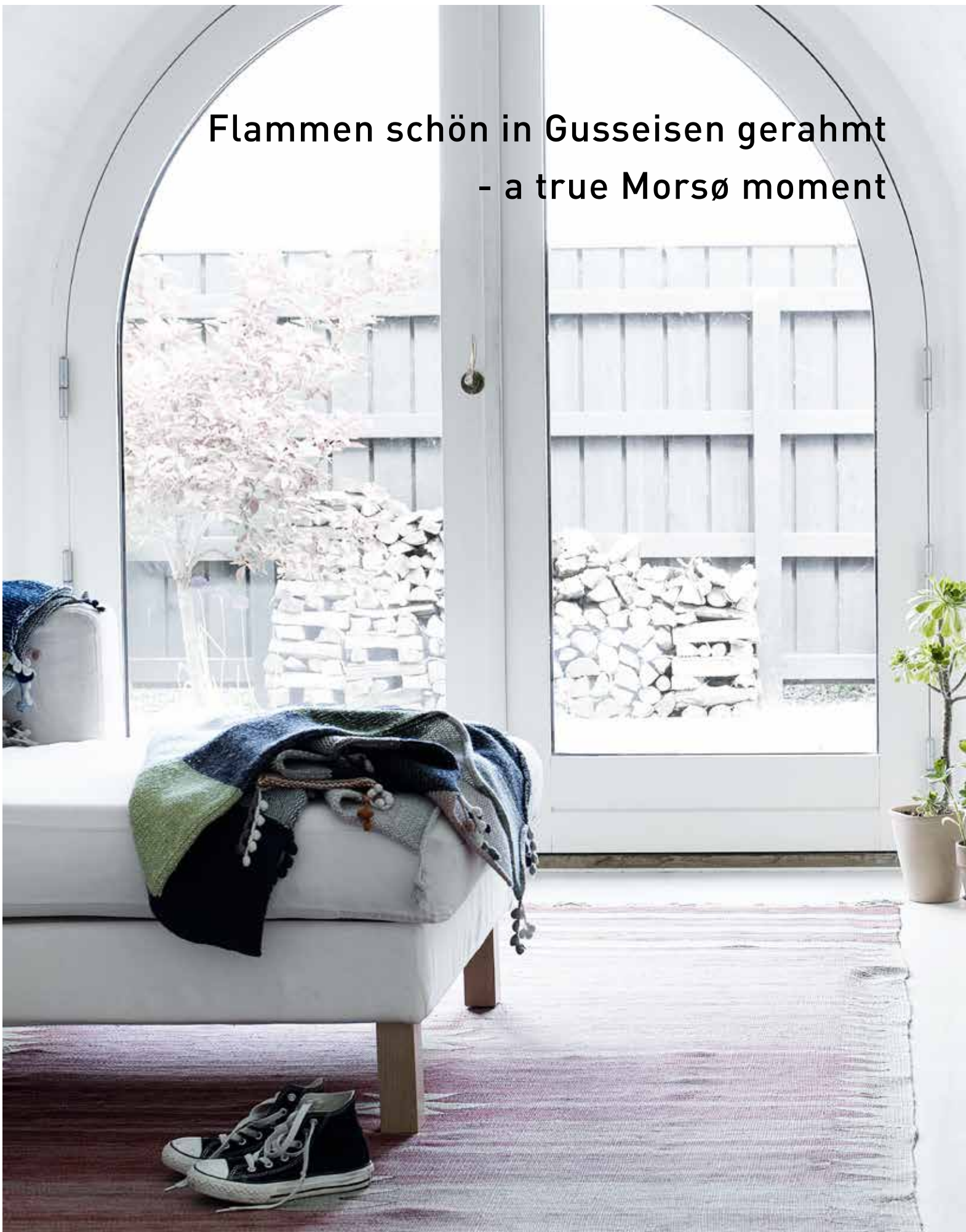
## 7690 mit hohem Topmodul



- DIN/EN-geprüft 15a B-VG
  - Nominelle Leistung . . . . . 6,2 kW
  - Abst. zu brennbarem Material, hinten . . .150 mm
  - Abst. zu brennbarem Material, seitlich . .350 mm
  - Betriebsleistung . . . . . 3-8 kW
  - \*Heizvermögen . . . . . 45-120 m<sup>2</sup>
  - Rauchabgang oben/hinten . . . . . Ø 150 mm
  - Gewicht - insgesamt . . . . . 209 kg
  - Gewicht wärmerspeicherungsteine . . . . . 52 kg
  - Brennholzlänge max . . . . . 33 cm
  - Wirkungsgrad % . . . . . 78,7
  - Feinstaub . . . . . 21 mg/m<sup>3</sup>
  - Mittlere Abgastemp. . . . . 335
  - Abgasmassenstrom . . . . . 5,3
  - Mittlere Förderdruck P [pa] . . . . . 12
- Der Ofen hat hinten einen Stutzen für Frischluftzufuhr montiert.  
\*Bei einer Raumhöhe von max. 250 cm.



Flammen schön in Gusseisen gerahmt  
- a true Morsø moment





# 7400



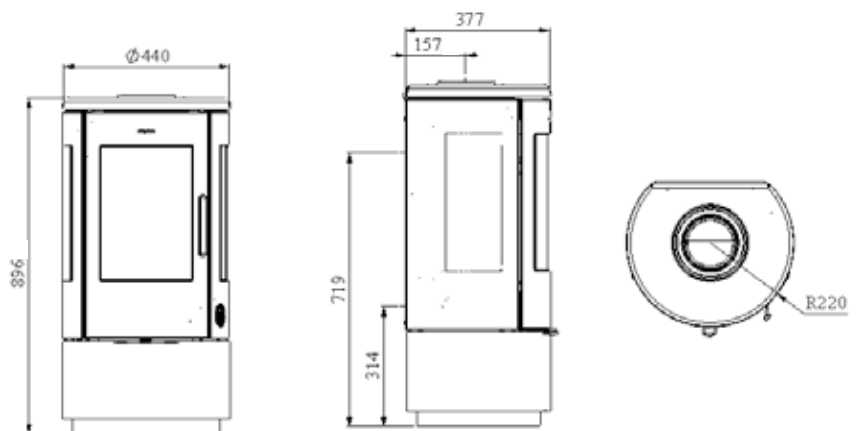
**Die Morsø 7400-Serie** vereint die besten Eigenschaften der modernen Kaminöfen und bietet dem Benutzer eine Reihe neuer Vorteile an. Der Ofen markiert das 160 jährige Jubiläum der Firma Morsø und präsentiert erstmals das legendäre Eichhörnchen in einer neu gestalteten Ausführung. Das "neue" Eichhörnchen schmückt die matt schwarze Seite des Kaminofens und unterstreicht dessen solides Aussehen mit einem Gruss zurück an die 160 jährige Firmengeschichte als Hersteller hochwertiger Kaminöfen aus Gusseisen.

## 7440

DIN/EN-geprüft 15a B-VG

Nominelle Leistung	5,7 kW
Abst. zu brennbarem Material, hinten	200 mm
Abst. zu brennbarem Material, seitlich	450 mm
Mittlere Förderdruck P (pa)	12
Betriebsleistung	3-7 kW
Heizvermögen*	45-105 m <sup>2</sup>
Rauchabgang oben/hinten	Ø 150 mm
Gewicht	105 kg
Brennholzlänge max	33 cm
Wirkungsgrad %	78,4
Feinstaub.	11,3 Mg/Nm <sup>3</sup>
Abgasmassenstrom	5,9 g/s
Abgastemperatur	274°C
Frischlufzufuhr vom Hinten/Boden	Ø 98 mm

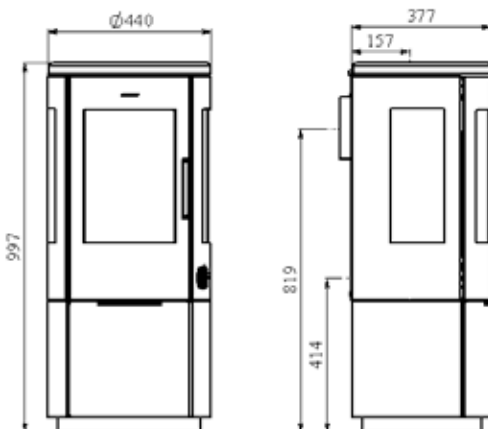
\*Bei Raumhöhe von 2,5 m





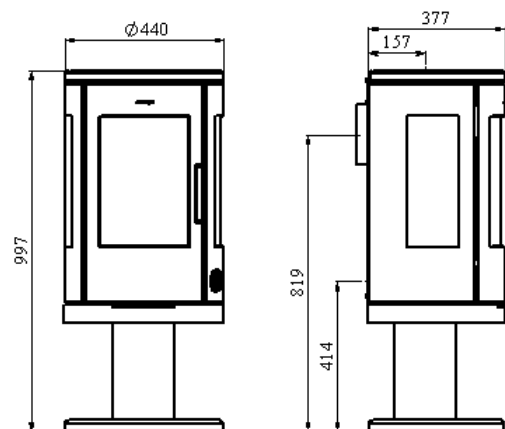
**7442 mit Schublade**

DIN/EN-geprüft 15a B-VG	
Nominelle Leistung	5,7 kW
Abst. zu brennbarem Material, hinten	200 mm
Abst. zu brennbarem Material, seitlich	450 mm
Mittlere Förderdruck P (pa)	12
Betriebsleistung	3-7 kW
Heizvermögen*	45-105 m <sup>2</sup>
Rauchabgang oben/hinten	Ø 150 mm
Gewicht	116 kg
Brennholzlänge max	33 cm
Wirkungsgrad %	78,4
Feinstaub	11,3 Mg/Nm <sup>3</sup>
Abgasmassenstrom	5,9 g/s
Abgastemperatur	274°C
Frischluftzufuhr vom Hinten/Boden	Ø 98 mm
*Bei Raumhöhe von 2,5 m	



**7448 / auf Säulenpodest**

DIN/EN-geprüft 15a B-VG	
Nominelle Leistung	5,7 kW
Abst. zu brennbarem Material, hinten	200 mm
Abst. zu brennbarem Material, seitlich	450 mm
Mittlere Förderdruck P (pa)	12
Betriebsleistung	3-7 kW
Heizvermögen*	45-105 m <sup>2</sup>
Rauchabgang oben/hinten	Ø 150 mm
Gewicht	110 kg
Brennholzlänge max	33 cm
Wirkungsgrad %	78,4
Feinstaub	11,3 Mg/Nm <sup>3</sup>
Abgasmassenstrom	5,9 g/s
Abgastemperatur	274°C
Frischluftzufuhr vom Hinten/Boden	Ø 98 mm
*Bei Raumhöhe von 2,5 m	



# 7400



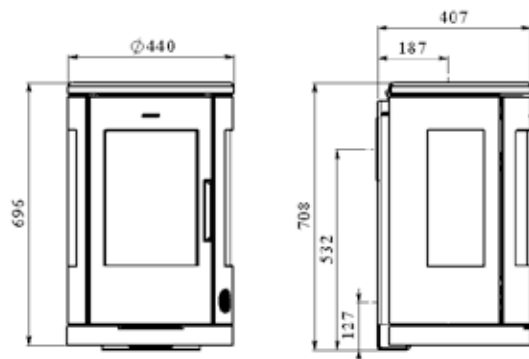
**Die Morsø 7400-Serie** wurde von der Designerin Monica Ritterband entworfen, die auch hinter der 7900-Serie von Morsø steht. Die neue 7400-Serie kann man auch als den "kleinen Bruder" der 7900-Serie bezeichnen, die dennoch die gleiche, fast riesige Glasfläche hat, die eine 180° Einsicht in die Flammen ermöglicht. Dank seiner kleinen Größe ist der Ofen auch für kleine Räume als stilvolles und gemütliches Möbelstück zu verwenden.

## 7470

DIN/EN-geprüft 15a B-VG

Nominelle Leistung	5,7 kW
Abst. zu brennbarem Material, hinten	200 mm
Abst. zu brennbarem Material, seitlich	450 mm
Mittlere Förderdruck P (pa)	12
Betriebsleistung	3-7 kW
Heizvermögen*	45-105 m <sup>2</sup>
Rauchabgang oben/hinten	Ø 150 mm
Gewicht	105 kg
Brennholzlänge max	33 cm
Wirkungsgrad %	78,4
Feinstaub	11,3 Mg/Nm <sup>3</sup>
Abgasmassenstrom	5,9 g/s
Abgastemperatur	274°C
Frischluftezufuhr vom Hinten/Boden	Ø 98 mm

\*Bei Raumhöhe von 2,5 m





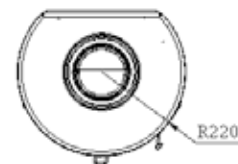
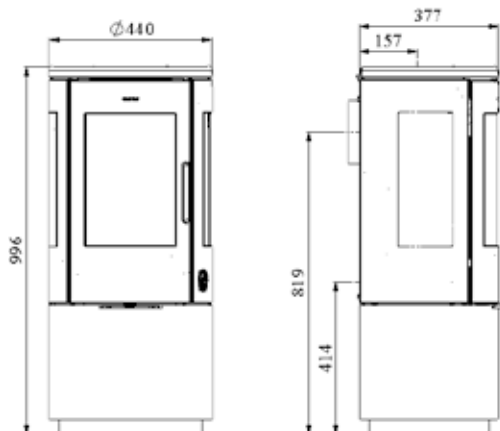
**7443 / mit glattem Sockel**

DIN/EN-geprüft 15a B-VG	
Nominelle Leistung	5,7 kW
Abst. zu brennbarem Material, hinten	200 mm
Abst. zu brennbarem Material, seitlich	450 mm
Mittlere Förderdruck P (pa)	12
Betriebsleistung	3-7 kW
Heizvermögen*	45-105 m <sup>2</sup>
Rauchabgang oben/hinten	∅ 150 mm
Gewicht	109 kg
Brennholzlänge max	33 cm
Wirkungsgrad %	78,4
Feinstaub	11,3 Mg/Nm <sup>3</sup>
Abgasmassenstrom	5,9 g/s
Abgastemperatur	274°C
Frischluftzufuhr vom Hinten/Boden	∅ 98 mm
*Bei Raumhöhe von 2,5 m	



**7443 / mit Holzfach**

DIN/EN-geprüft 15a B-VG	
Nominelle Leistung	5,7 kW
Abst. zu brennbarem Material, hinten	200 mm
Abst. zu brennbarem Material, seitlich	450 mm
Mittlere Förderdruck P (pa)	12
Betriebsleistung	3-7 kW
Heizvermögen*	45-105 m <sup>2</sup>
Rauchabgang oben/hinten	∅ 150 mm
Gewicht	109 kg
Brennholzlänge max	33 cm
Wirkungsgrad %	78,4
Feinstaub	11,3 Mg/Nm <sup>3</sup>
Abgasmassenstrom	5,9 g/s
Abgastemperatur	274°C
Frischluftzufuhr vom Hinten/Boden	∅ 98 mm
*Bei Raumhöhe von 2,5 m	





6100

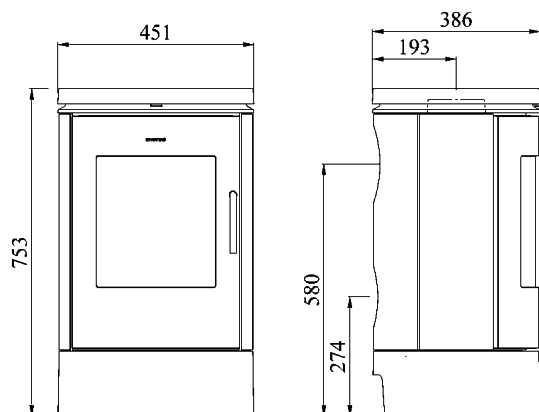


6140



DIN/EN-geprüft 15a B-VG

Nominelle Leistung	5 kW
Abst. zu brennbarem Material, hinten	150 mm
Abst. zu brennbarem Material, seitlich	400 mm
Betriebsleistung	3-6 kW
*Heizvermögen	.45-90 m <sup>2</sup>
Rauchabgang oben/hinten	Ø 120 mm
Gewicht	100 kg
Brennholzlänge max.	30 cm
Wirkungsgrad %	.80,8
Feinstaub	29 mg/m <sup>3</sup>
Mittlere Abgastemp.	266
Abgasmassenstrom	4,5
Mittlere Förderdruck P	10



Der Ofen hat hinten einen Stutzen für Frischluftzufuhr montiert und man kann ein Frischluftgerät für Luftzufuhr vom Boden als Sonderzubehör kaufen.

\*Bei einer Raumhöhe von max. 250 cm. RLU möglich



6148



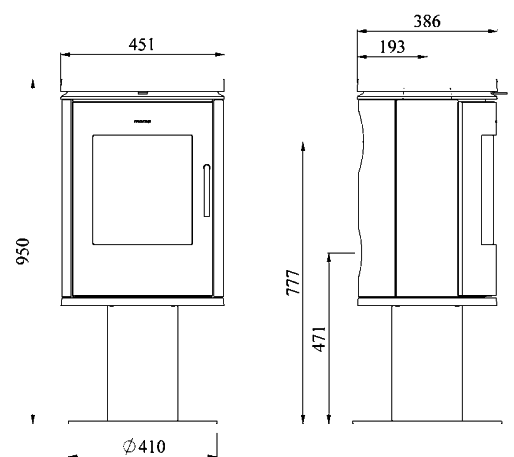
DIN/EN-geprüft 15a B-VG

- Nominelle Leistung . . . . . 5 kw
- Abst. zu brennbarem Material, hinten . . . 150 mm
- Abst. zu brennbarem Material, seitlich . . . 400 mm
- Betriebsleistung . . . . . 3-6 kW
- \*Heizvermögen . . . . . 45-90 m<sup>2</sup>
- Rauchabgang oben/hinten . . . . . Ø 120 mm
- Gewicht . . . . . 110 kg
- Brennholzlänge max. . . . . 30 cm
- Wirkungsgrad % . . . . . 80,8
- Feinstaub . . . . . 29 mg/m<sup>3</sup>
- Mittlere Abgastemp . . . . . 266
- Abgasmassenstrom . . . . . 4,5
- Mittlere Förderdruck P (pa) . . . . . 10

Der Ofen hat hinten einen Stutzen für Frischluftzufuhr montiert und man kann ein Frischluftgerät für Luftzufuhr vom Boden als Sonderzubehör kaufen.

\*Bei einer Raumhöhe von max. 250 cm.

RLU möglich



6100



6143

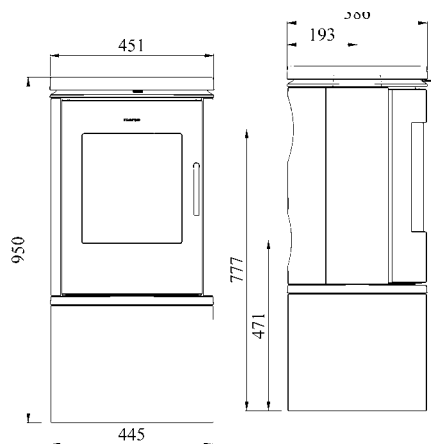


DIN/EN-geprüft 15a B-VG

- Nominelle Leistung . . . . . 5 kW
- Abst. zu brennbarem Material, hinten . . . . . 150 mm
- Abst. zu brennbarem Material, seitlich . . . . . 400 mm
- Betriebsleistung . . . . . 3-6 kW
- \*Heizvermögen . . . . . 45-90 m<sup>2</sup>
- Rauchabgang oben/hinten . . . . . Ø 120 mm
- Gewicht . . . . . 108 kg
- Brennholzlänge max . . . . . 30 cm
- Wirkungsgrad % . . . . . 80,8
- Feinstaub . . . . . 29 mg/m<sup>3</sup>
- Mittlere Abgastemp . . . . . 266
- Abgasmassenstrom . . . . . 4,5
- Mittlere Förderdruck P (pa) . . . . . 10

Der Ofen hat hinten einen Stutzen für Frischluftzufuhr montiert und man kann ein Frischluftgerät für Luftzufuhr vom Boden als Sonderzubehör kaufen.

\*Bei einer Raumhöhe von max. 250 cm. RLU möglich





## 6150



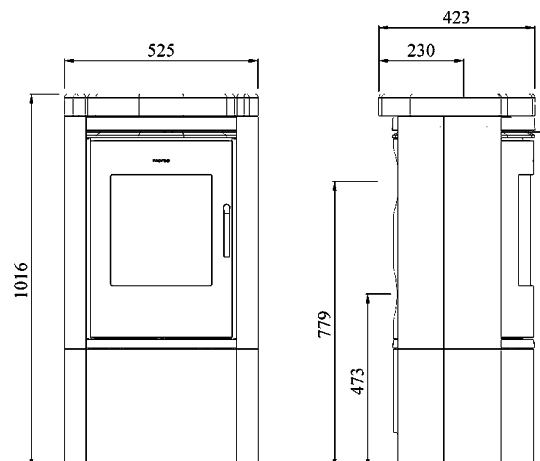
DIN/EN-geprüft 15a B-VG

Nominelle Leistung	5 kW
Abst. zu brennbarem Material, hinten	150 mm
Abst. zu brennbarem Material, seitlich	400 mm
Betriebsleistung	3-6 kW
*Heizvermögen	45-90 m <sup>2</sup>
Rauchabgang oben/hinten	Ø 120 mm
Gewicht	195 kg
Gewicht Specktion	88 kg
Brennholzlänge max.	30 cm
Wirkungsgrad %	80,8
Feinstaub	29 mg/m <sup>3</sup>
Mittlere Abgastemp.	266
Abgasmassenstrom	4,5
Mittlere Förderdruck P (pa)	10

Der Ofen hat hinten einen Stutzen für Frischluftzufuhr montiert und man kann ein Frischluftgerät für Luftzufuhr vom Boden als Sonderzubehör kaufen.

\*Bei einer Raumhöhe von max. 250 cm.

RLU möglich



6190



6190

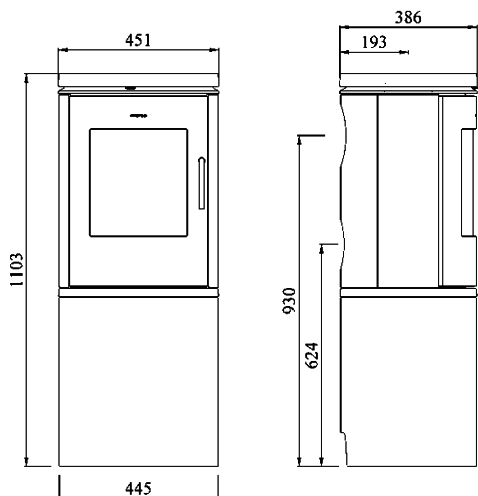


DIN/EN-geprüft 15a B-VG

- Nominelle Leistung . . . . . 5 kW
- Abst. zu brennbarem Material, hinten . . . . . 150 mm
- Abst. zu brennbarem Material, seitlich . . . . . 400 mm
- Betriebsleistung . . . . . 3-6 kW
- \*Heizvermögen . . . . . 45-90 m<sup>2</sup>
- Rauchabgang oben/hinten . . . . . Ø 120 mm
- Gewicht 6190 . . . . . 109 kg
- Brennholzlänge max. . . . . 30 cm
- Wirkungsgrad % . . . . . 80,8
- Feinstaub . . . . . 29 mg/m<sup>3</sup>
- Mittlere Abgastemp . . . . . 266
- Abgasmassenstrom . . . . . 4,5
- Mittlere Förderdruck P (pa) . . . . . 10

Der Ofen hat hinten einen Stutzen für Frischluftzufuhr montiert und man kann ein Frischluftgerät für Luftzufuhr vom Boden als Sonderzubehör kaufen.

\*Bei einer Raumhöhe von max. 250 cm. RLU möglich



## 6190 mit wärmespeichern



Das Modell **Morsø 6100** ist mit einer Wärmespeicherfunktion ausgestattet. Das bedeutet, dass das Feuer effizient genutzt wird und dass der Ofen noch viele Stunden nach dem Erlöschen des Feuers Wärme abgibt. Die in der umweltfreundlich konstruierten Brennkammer erzeugte Wärme sammelt sich in den Wärmespeichersteinen oben auf dem Kaminofen an.



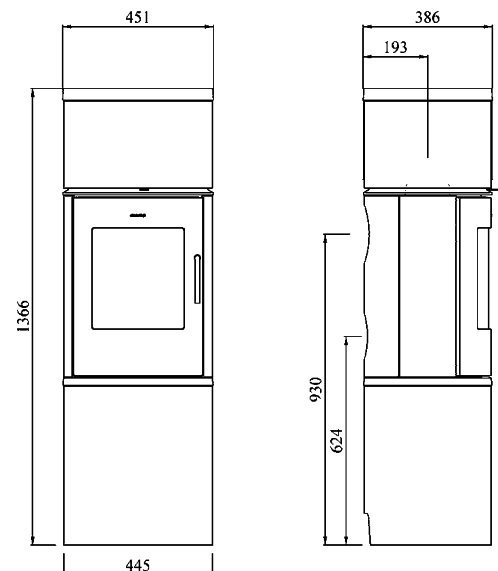
### 6190 mit hohem Topmodul



DIN/EN-geprüft 15a B-VG	
Nominelle Leistung	5 kW
Abst. zu brennbarem Material, hinten	150 mm
Abst. zu brennbarem Material, seitlich	400 mm
Betriebsleistung	3-6 kW
*Heizvermögen	45-90 m <sup>2</sup>
Rauchabgang oben/hinten	Ø 120 mm
Gewicht - insgesamt	144 kg
Gewicht - wärmespeicherungssteine	35 kg
Brennholzlänge max.	30 cm
Wirkungsgrad %	80,8
Feinstaub	29 mg/m <sup>3</sup>
Mittlere Abgastemp.	266
Abgasmassenstrom	4,5
Mittlere Förderdruck P (pa)	10

Der Ofen hat hinten einen Stutzen für Frischluftzufuhr montiert und man kann ein Frischluftgerät für Luftzufuhr vom Boden als Sonderzubehör kaufen.

\*Bei einer Raumhöhe von max. 250 cm. RLU möglich



5400

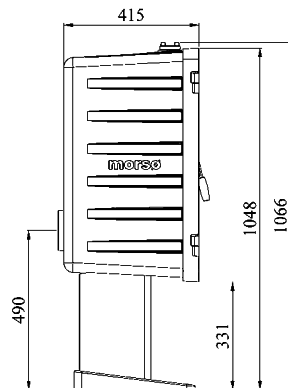
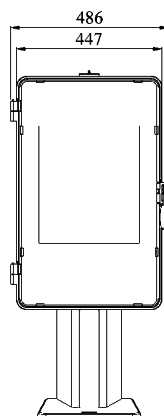


5448



DIN/EN-geprüft 15a B-VG

- Nominelle Leistung . . . . . 5,5 kW
- Abst. zu brennbarem Material, hinten . . . . . 250 mm
- Abst. zu brennbarem Material, seitlich . . . . . 400 mm
- Betriebsleistung . . . . . 3-8 kW
- \*Heizvermögen . . . . . 45-120 m<sup>2</sup>
- Rauchabgang oben/hinten . . . . . Ø 120 mm
- Gewicht . . . . . 156 kg
- Brennholzlänge max. . . . . 30 cm
- Wirkungsgrad % . . . . . 82,8
- Feinstaub . . . . . 18 mg/m<sup>3</sup>
- Mittlere Abgastemp . . . . . 250
- Abgasmassenstrom . . . . . 5,3
- Mittlere Förderdruck P (pa) . . . . . 12



Der Ofen hat hinten einen Stutzen für Frischluftzufuhr montiert.  
 \*Bei einer Raumhöhe von max. 250 cm.



Der **Morsø 3640** stellt eine große und optimal entworfene Wärmequelle dar, die sich hervorragend zum Heizen großer Flächen eignet. Entworfen wurde dieser Gusseisenofen von der renommierten englischen Designfirma Studio Levien. Der Ofen weist nicht nur ein perfektes Design auf, das ein Verbrennen von besonders großen Holzscheiten mit bis zu 58 cm Länge ermöglicht, sondern bietet aufgrund seiner beeindruckenden Größe und den großen Glasscheiben auch einen fantastischen Blick auf das knisternde Feuer, durch das eine herrliche Atmosphäre geschaffen wird. Der Inbegriff von Gemütlichkeit im klassischen Morsø-Design.

### 3640

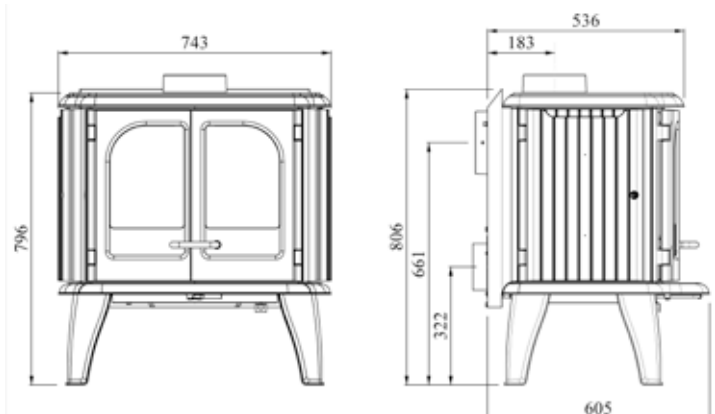


DIN/EN-geprüft

Nominelle Leistung	9 kW
Abst. zu brennbarem Material, hinten	200 mm
Abst. zu brennbarem Material, seitlich	400 mm
Betriebsleistung	6-14 kW
*Heizvermögen	90-210 m <sup>2</sup>
Rauchabgang oben/hinten	Ø 150 mm
Gewicht	230 kg
Brennholzlänge max.	58 cm
Wirkungsgrad %	75,6
Feinstaub	36 m <sup>3</sup>
Mittlere Abgastemp.	340
Abgasmassenstrom	10,7
Mittlere Förderdruck P (pa)	12

Stutzen für Frischluftzufuhr kann als Sonderzubehör gekauft werden.

\*Bei einer Raumhöhe von max. 250 cm.





# 3400

**Morsø 3400-Serie** Wir haben diese Serie in Zusammenarbeit mit der englischen Designfirma Queensbury Hunt Levien entworfen und dabei die für die Marke Morsø so typischen klassischen Linien und eleganten Formen beibehalten, gleichzeitig jedoch ein fortgeschrittenes Verbrennungssystem integriert. Die breite Tür und die große Glasscheibe bieten einen wundervollen Blick auf die Flammen und sorgen so für die richtige Stimmung, während in Ihrem Heim eine angenehme Wärme verbreitet wird. Die Öfen weisen glatte Seitenflächen und das typische Eichhörnchen-Motiv auf.

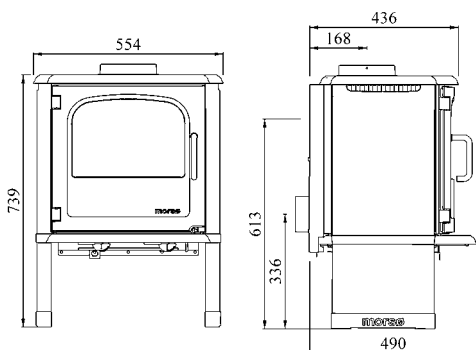


## 3440



DIN/EN-geprüft 15a B-VG

- Nominelle Leistung . . . . . 8 kW
- Abst. zu brennbarem Material, hinten . . . 350 mm
- Abst. zu brennbarem Material, seitlich . . 350 mm
- Betriebsleistung . . . . . 4-9 kW
- \*Heizvermögen . . . . . 60-135 m<sup>2</sup>
- Rauchabgang oben/hinten . . . . . Ø 150 mm
- Gewicht . . . . . 116 kg
- Brennholzlänge max. . . . . 36 cm
- Wirkungsgrad % . . . . . 78,6
- Feinstaub . . . . . 30 mg/m<sup>3</sup>
- Mittlere Abgastemp . . . . . 301
- Abgasmassenstrom . . . . . 7,0
- Mittlere Förderdruck P (pa) . . . . . 10

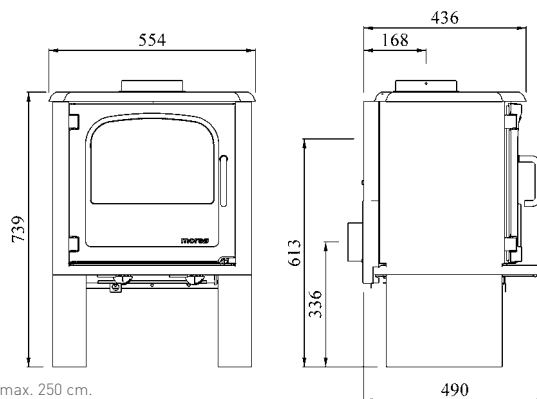


## 3450



DIN/EN-geprüft 15a B-VG

- Nominelle Leistung . . . . . 8 kW
- Abst. zu brennbarem Material, hinten . . 400 mm
- Abst. zu brennbarem Material, seitlich . . 600 mm
- Betriebsleistung . . . . . 4-9 kW
- \*Heizvermögen . . . . . 60-135 m<sup>2</sup>
- Rauchabgang oben/hinten . . . . . Ø 150 mm
- Gewicht . . . . . 180 kg
- Brennholzlänge max. . . . . 36 cm
- Wirkungsgrad % . . . . . 78,6
- Feinstaub . . . . . 30 mg/m<sup>3</sup>
- Mittlere Abgastemp . . . . . 301
- Abgasmassenstrom . . . . . 7,0
- Mittlere Förderdruck P (pa) . . . . . 10



\*Bei einer Raumhöhe von max. 250 cm.



**Morsø 3100** Nach einem umfangreichen technischen Upgrade und einem modernisierten Design weist sich diese Serie nun durch moderne, elegante Linien aus und erfüllt sämtliche modernsten Verbrennungsprinzipien. Mit der Morsø 3100-Serie setzen wir die besten Eigenschaften des klassischen Morsø-Designs fort. Typisch für diese Öfen sind glatte Seitenflächen und das klassische Eichhörnchen-Motiv.

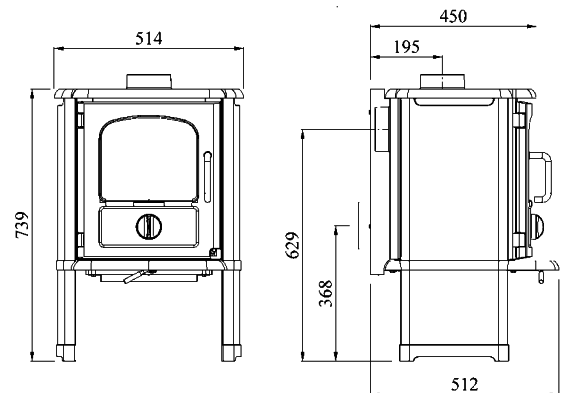
3142



DIN/EN-geprüft 15a B-VG

- Nominelle Leistung . . . . . 7 kW
- Abst. zu brennbarem Material, hinten . . . . . 200 mm
- Abst. zu brennbarem Material, seitlich . . . . . 400 mm
- Betriebsleistung . . . . . 3-8 kW
- \*Heizvermögen . . . . . 45-120 m<sup>2</sup>
- Rauchabgang oben/hinten . . . . . Ø 120 mm
- Gewicht . . . . . 113 kg
- Brennholzlänge max. . . . . 30 cm
- Wirkungsgrad % . . . . . 78,3
- Feinstaub . . . . . 33 mg/m<sup>3</sup>
- Mittlere Abgastemp . . . . . 310
- Abgasmassenstrom . . . . . 7,4
- Mittlere Förderdruck P (pa) . . . . . 10

Stutzen für Frischluftzufuhr kann als Sonderzubehör gekauft werden.  
\*Bei einer Raumhöhe von max. 250 cm.



# 2100

**Morsø 2100-Serie** Dieses Modell besticht durch Nostalgie und englischen Charme. Der sehr geräumige und effektive gusseiserne Ofen wurde von der englischen Designfirma Queensbury Hunt entworfen. In Zusammenarbeit mit diesem englischen Unternehmen haben wir einen leistungsstarken Konvektionsofen entwickelt, der ein wahrer Vertreter des stolzen Morsø-Erbes ist. Der Morsø 2140 hat eine extra breite Brennkammer, durch die ermöglicht wird, dass auch lange Holzscheite verbrannt werden können. Zugleich sind die Türen mit großen Glasscheiben ausgestattet, die eine herrliche Sicht auf das gemütlich knisternde Feuer bieten.



## 2140



DIN/EN-geprüft 15a B-VG

Nominelle Leistung . . . . . 5,5kW

Abst. zu brennbarem Material, hinten . . . 200 mm

Abst. zu brennbarem Material, seitlich . . . 400 mm

Betriebsleistung . . . . . 4-8 kW

\*Heizvermögen . . . . . 60-120 m<sup>2</sup>

Rauchabgang oben/hinten . . . . . Ø 150 mm

Gewicht . . . . . 120 kg

Brennholzlänge max. . . . . 40 cm

Wirkungsgrad % . . . . . 78,3

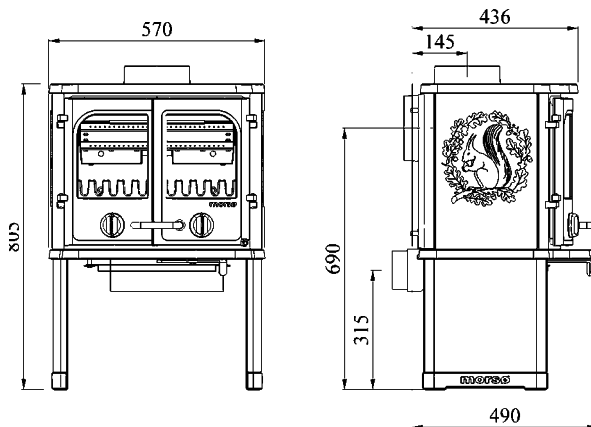
Feinstaub . . . . . 32 mg/m<sup>3</sup>

Mittlere Abgastemp . . . . . 310

Abgasmassenstrom . . . . . 5,8

Mittlere Förderdruck P (pa) . . . . . 12

\*Bei einer Raumhöhe von max. 250 cm.





**Morsø 2B Classic** Keine Vergangenheit – keine Zukunft. Dieser beeindruckende Strahlungsofen mit Morsøs bekanntem Eichhörnchen-Motiv und den Eichenblättern wurde Anfang der dreißiger Jahre vom Bildhauer Constantin Sørensen entworfen. Wie damals ist der 2B Classic auch heute noch sehr gefragt und stellt mit seinem fast herrschaftlichen Erscheinungsbild die perfekte Ergänzung für Häuser im Patrizier- oder Bauernhofstil dar. Der Ofen weist eine große Brennchamber auf, die eine Brennholzlänge von bis zu 45cm aufnehmen kann. Nach einer kompletten Aktualisierung der für den Morsø 2B Classic verwendeten Verbrennungstechnologie werden nun aktuelle strenge Umweltnormen erfüllt. Was ausgefallene Kaminöfen anbetrifft, so ist der Morsø 2B Classic fast unschlagbar.

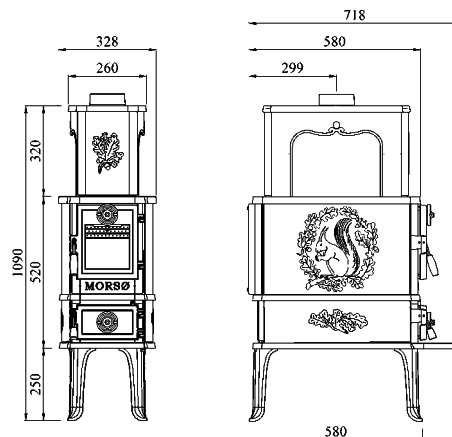
## 2B Classic

DIN/EN-geprüft 15a B-VG



Nominelle Leistung . . . . .	8 kW
Abst. zu brennbarem Material, hinten . . .	400 mm
Abst. zu brennbarem Material, seitlich . .	850 mm
Betriebsleistung . . . . .	6-10 kW
*Heizvermögen . . . . .	90-150 m <sup>2</sup>
Rauchabgang oben . . . . .	Ø 120 mm
Gewicht . . . . .	115 kg
Brennholzlänge max . . . . .	45 cm
Wirkungsgrad % . . . . .	83
Feinstaub . . . . .	27 mg/m <sup>3</sup>
Mittlere Abgastemp . . . . .	260
Abgasmassenstrom . . . . .	7,2
Mittlere Förderdruck P (pa) . . . . .	12

\*Bei einer Raumhöhe von max. 250 cm.



# 1400



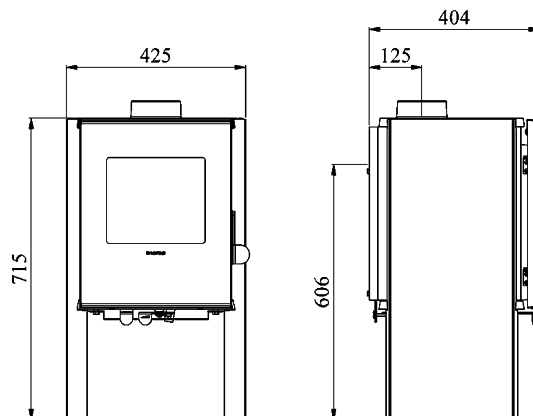
Das Modell **Morsø 1400** ist die neue und moderne Ausgabe eines Klassikers. Bei der Designüberarbeitung des Kaminofens standen wir vor der großen Herausforderung, einerseits die besten Eigenschaften des altbekannten Modells beibehalten und andererseits eine Modernisierung durch gerade Flächen und straffe Linien herbeiführen, damit das neue Design des Ofens einen zeitlosen und schlichten Eindruck macht. Die Glastür des Modells 1448 lässt den Kaminofen noch leichter wirken. Selbstverständlich erfüllt die neue Version des Morsø Klassikers die strengsten Umweltauflagen im Hinblick auf die Verbrennung.

## 1448



DIN/EN-geprüft 15a B-VG

Nominelle Leistung	4 kW
Abst. zu brennbarem Material, hinten	330 mm
Abst. zu brennbarem Material, seitlich	400 mm
Betriebsleistung	2-5 kW
*Heizvermögen	30-75 m <sup>2</sup>
Rauchabgang oben/hinten	Ø 120 mm
Gewicht	94 kg
Brennholzlänge max.	28 cm
Wirkungsgrad %	78,4
Feinstaub	14 mg/m <sup>3</sup>
Mittlere Abgastemp.	242
Abgasmassenstrom	4,45
Mittlere Förderdruck P (pa)	12



\*Bei einer Raumhöhe von max. 250 cm.



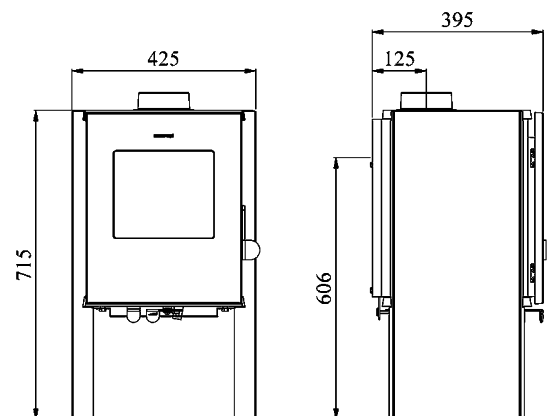
**1446**



DIN/EN-geprüft 15a B-VG

- Nominelle Leistung . . . . . 4 kW
- Abst. zu brennbarem Material, hinten . . . 300 mm
- Abst. zu brennbarem Material, seitlich . . . 350 mm
- Betriebsleistung . . . . . 2-5 kW
- \*Heizvermögen . . . . . 30-75 m<sup>2</sup>
- Rauchabgang oben/hinten . . . . . Ø 120 mm
- Gewicht . . . . . 90 kg
- Brennholzlänge max. . . . . 28 cm
- Wirkungsgrad % . . . . . 78,4
- Feinstaub . . . . . 14 mg/m<sup>3</sup>
- Mittlere Abgastemp . . . . . 242
- Abgasmassenstrom . . . . . 4,45
- Mittlere Förderdruck P (pa) . . . . . 12

\*Bei einer Raumhöhe von max. 250 cm.



1400



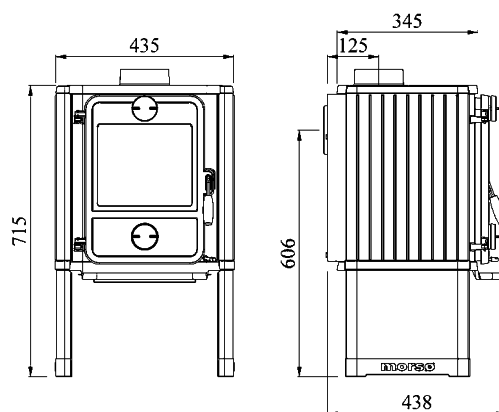
1442



DIN/EN-geprüft 15a B-VG

Nominelle Leistung	5 kW
Abst. zu brennbarem Material, hinten	200 mm
Abst. zu brennbarem Material, seitlich	300 mm
Betriebsleistung	3-5 kW
*Heizvermögen	45-75 m <sup>2</sup>
Rauchabgang oben/hinten	Ø 120 mm
Gewicht	80 kg
Brennholzlänge max.	25 cm
Wirkungsgrad %	78,5
Feinstaub	19 mg/m <sup>3</sup>
Mittlere Abgastemp.	268
Abgasmassenstrom	5,7
Mittlere Förderdruck P (pa)	11

\*Bei einer Raumhöhe von max. 250 cm.





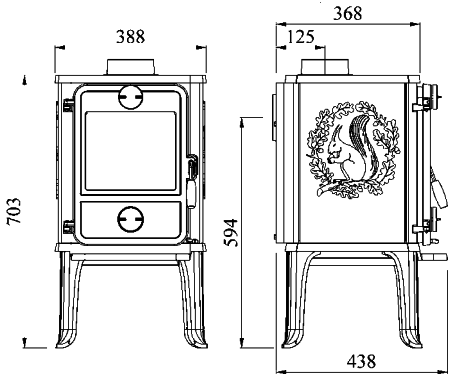
**Morsø 1400-Serie** Ein gleichmäßig schlagendes Herz. Der Morsø 1400 ist die Quintessenz eines bezaubernden Ofens. Er erinnert uns an unsere Kindheit, in der Öfen oft das Herz eines Heims darstellten. Die Verbrennungstechnologie dieser klassischen Öfen wurde seitdem weiterentwickelt und dahingehend verbessert, dass schädliche Partikel und überschüssige Gase verbrannt werden, sodass die Öfen heute selbst den strengsten Umwelthanforderungen genügen und auch mit dem Umweltsiegel „Nordischer Schwan“ zertifiziert sind. Wir haben außerdem eine Glastür eingebaut, die einen guten Blick auf die Flammen erlaubt. Aber nicht alles ist anders, denn trotz neuester Technologie haben wir ein paar kleine Details beibehalten. So findet man beispielsweise an den Seiten der Öfen immer noch das für Morsø charakteristische Eichhörnchen-Motiv. Modell 1442 gibt es aber auch mit Ribbenseiten.

**1412**



- DIN/EN-geprüft 15a B-VG
- Nominelle Leistung . . . . . 5 kW
- Abst. zu brennbarem Material, hinten . . . . . 200 mm
- Abst. zu brennbarem Material, seitlich . . . . . 600 mm
- Betriebsleistung . . . . . 3-5 kW
- \*Heizvermögen . . . . . 45-75 m<sup>2</sup>
- Rauchabgang oben/hinten . . . . . Ø 120 mm
- Gewicht . . . . . 70 kg
- Brennholzlänge max. . . . . 25 cm
- Wirkungsgrad % . . . . . 78,5
- Feinstaub . . . . . 19 mg/m<sup>3</sup>
- Mittlere Abgastemp . . . . . 268
- Abgasmassenstrom . . . . . 5,7
- Mittlere Förderdruck P (pa) . . . . . 11

\*Bei einer Raumhöhe von max. 250 cm.





1400



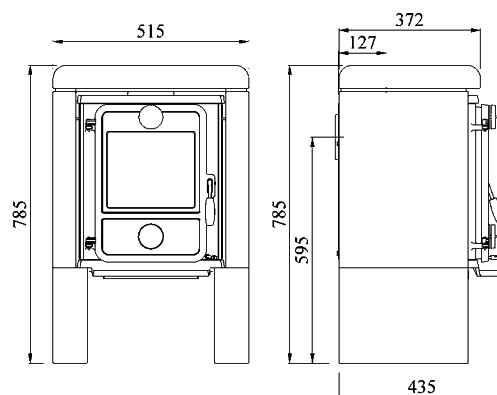
1452



DIN/EN-geprüft 15a B-VG

- Nominelle Leistung . . . . . 5 kW
- Abst. zu brennbarem Material, hinten . . . . . 200 mm
- Abst. zu brennbarem Material, seitlich . . . . . 600 mm
- Betriebsleistung . . . . . 3-5 kW
- \*Heizvermögen . . . . . 45-75 m<sup>2</sup>
- Rauchabgang oben/hinten . . . . . Ø 120 mm
- Gewicht . . . . . 208 kg
- Brennholzlänge max. . . . . 25 cm
- Wirkungsgrad % . . . . . 78,5
- Feinstaub . . . . . 19 mg/m<sup>3</sup>
- Mittlere Abgastemp . . . . . 268
- Abgasmassenstrom . . . . . 5,7
- Mittlere Förderdruck P (pa) . . . . . 11

\*Bei einer Raumhöhe von max. 250 cm.





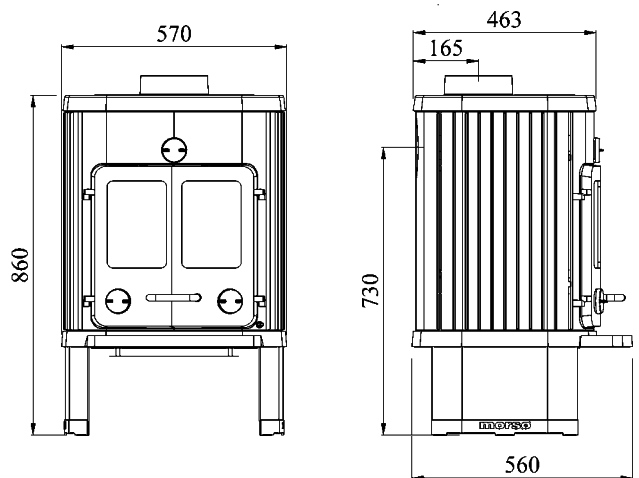
**Morsø 1126** Das Modell 1126 gehört zu den Morsø-Bestsellern. Das Design des Architekten Fister Bang aus Nykøbing Mors ist auch heute noch, ein Vierteljahrhundert nach der Lancierung, so beliebt wie damals. Die hohe Nachfrage nach diesem Kaminofen lässt sich auf das herausragende, zeitlose Design und die hohe Leistungsfähigkeit zurückführen. Der Fister Bang Ofen ist ein großer, effektiver Konvektionsofen, der problemlos 150 m<sup>2</sup> heizen kann.

**1126**

DIN/EN-geprüft 15a B-VG



- Nominelle Leistung . . . . . 7 kW
  - Abst. zu brennbarem Material, hinten . . . . . 300 mm
  - Abst. zu brennbarem Material, seitlich . . . . . 400 mm
  - Betriebsleistung . . . . . 4-10 kW
  - \*Heizvermögen . . . . . 60-150 m<sup>2</sup>
  - Rauchabgang oben/hinten . . . . . Ø 150 mm
  - Gewicht . . . . . 140 kg
  - Brennholzlänge max. . . . . 35 cm
  - Wirkungsgrad % . . . . . 83,3
  - Feinstaub . . . . . 35 mg/m<sup>3</sup>
  - Mittlere Abgastemp . . . . . 260
  - Abgasmassenstrom . . . . . 6,2
  - Mittlere Förderdruck P (pa) . . . . . 12
- \*Bei einer Raumhöhe von max. 250 cm.

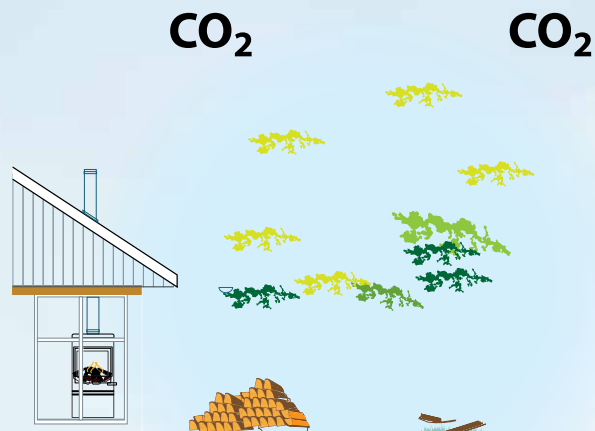


## Lokale Wärme statt globale Erwärmung

Holz weist in Bezug auf  $\text{CO}_2$  spezifische Eigenschaften auf. Während ein Baum wächst, nimmt er aufgrund der Fotosynthese enorme Mengen an Kohlendioxid auf. Genau dieselbe  $\text{CO}_2$ -Menge wird später in die Atmosphäre freigesetzt, wenn der Baum gefällt und verbrannt wird. Bei einer effizienten Verbrennung kann erreicht werden, dass das Holz  $\text{CO}_2$ -neutral bleibt und somit eine umweltfreundliche Energiequelle darstellt.

Holz kann im Gegensatz zu Öl, Kohle oder Gas auch erneuert werden, indem als Ersatz für die gefällten Bäume neue gepflanzt werden und somit der neutrale  $\text{CO}_2$ -Zyklus beibehalten wird - und dies Generation für Generation.

Damit die erzeugte  $\text{CO}_2$ -Menge ganz auf Null bleiben kann, muss das Holz wie schon oben erwähnt möglichst effizient verbrannt werden. Und hier können die Morsø-Öfen ihren ersten wichtigen Punkt sammeln. Durch unsere langjährigen Erfahrungen und fortwährenden Weiterentwicklungen können wir sicherstellen, dass sämtliche unserer Öfen heute zu den weltweit effizientesten Verbrennungssystemen gehören.



### Haben Sie Rauch gesehen?

Einerseits wird viel über CO<sub>2</sub> und globale Erwärmung diskutiert. Andererseits wird auch immer wieder darüber debattiert, welche Auswirkungen der im Rauch enthaltene Ruß hat, der zusammen mit harmlosem Wasserdampf von Öfen ausgestoßen wird. Sind Rußpartikel gesundheitsschädlich? Und unter welchen Bedingungen? Falls ja, in welchen Mengen wird dies problematisch? Wir sollten unsere Öfen auf jeden Fall so handhaben, dass aus dem Schornstein kein Rauch kommt. Selbst wenn der Rauch nicht schädlich ist, kann er riechen und für Nachbarn unangenehm sein.

Es herrscht noch immer eine bestimmte Ungewissheit, was diese Fragen betrifft. Genau aus diesem Grund bemühen wir uns ständig darum, unsere Öfen bestmöglich weiterzuentwickeln. Wenn es um die Gesundheit unserer Kunden geht, gehen wir unter keinen Umständen irgendwelche Risiken ein. Dies wird beispielsweise dadurch veranschaulicht, dass die von einem modernen Morsø-Ofen stammende Partikelemission durch eine verfeinerte Verbrennungstechnologie und fortschrittliche Reinigungssysteme mittlerweile auf ein absolutes Minimum reduziert werden konnte.

Die Tatsache, dass die Menge der abgegebenen Partikel in hohem Maße von Ihrer Handhabung des Ofens abhängt, ist wieder etwas Anderes. Wir werden uns damit auf den nächsten paar Seiten befassen.


**Alle Morsø Öfen, die heute gekauft werden, erfüllen die 2. Stufe der 1. BImSchV.**

## Morsø und die Sicherheit

Morsø-Öfen erfüllen einige der strengsten Umweltnormen der Welt. Dies bezieht sich hauptsächlich auf die norwegische Norm NS 3058/3059, die einen niedrigen Partikelaustritt fordert. Um den Umweltaspekt noch mehr ins Zentrum zu stellen, hat Morsø beschlossen, die meisten Öfen mit dem Umweltsiegel „Nordischer Schwan“ zertifizieren zu lassen. Diese Umweltzertifizierung fordert nicht nur einen niedrigen Partikelaustritt, sondern auch, dass der Umwelt bei der Produktion, der Verpackung usw. Rechnung getragen wird. Unsere Öfen werden außerdem in den USA, in Großbritannien und Deutschland auf niedrigen Partikelaustritt geprüft.

Alle Öfen halten die europäische Norm EN 13 240 ein und sind somit CE-gekennzeichnet.





## **Machen Sie sich mit den Details einer guten Verbrennung vertraut**

Auch beim besten Ofen liegt die Verantwortung am Ende bei Ihnen, dass Sie Ihr Heim effizient heizen und die Umwelt gleichzeitig vor schädlichen Einflüssen schützen. Letztendlich hängt dies davon ab, wie Sie Ihren Ofen handhaben und natürlich auch, welches Brennmaterial Sie verwenden. Achten Sie auf sich und die Umwelt, indem Sie die folgenden sieben Empfehlungen beherzigen:

**Achten Sie auf sich und die Umwelt, indem Sie die folgenden sieben Empfehlungen beherzigen:**

1. Wählen Sie einen Ofen aus, der in Bezug auf den Partikelausstoß die strengsten Anforderungen erfüllt.
2. Stellen Sie sicher, dass Ihr Schornstein die im Verhältnis zum Ofen richtige Größe aufweist. Ein guter Abzug ist Voraussetzung für eine optimale Verbrennung.
3. Verbrennen Sie niemals Abfälle, Kartonverpackungen, Drucksachen oder Holz, das lackiert oder auf sonstige Weise behandelt wurde.
4. Heizen Sie stets nur mit sauberem und trockenem Holz. Bei einem Feuchtigkeitsgrad von max. 16-20% lässt sich die beste und sauberste Verbrennung erzielen. Gleichzeitig lagert sich weniger Ruß an der Glasscheibe ab.
5. Überfüllen Sie den Ofen niemals und vermeiden Sie es, zu großes Brennmaterial zu verwenden.
6. Eine angemessene Luftzufuhr ist für eine gute Verbrennung und einen sparsamen Brennstoffverbrauch wichtig. Dem Holz muss, bis es sich in Glut verwandelt hat, immer so viel Luft zugeführt werden, dass es sichtbare Flammen gibt. (Lesen Sie bitte die Gebrauchsanleitung durch, die wichtige Angaben enthält.)
7. Heizen Sie nicht über Nacht. Das wäre umwelt- und finanztechnisch gesehen ein grober Fehler. Der verzögerte Abbrand durch reduzierte Luftzufuhr führt nicht nur zu einem schlechten Wärmeertrag, sondern verschmutzt auch Umwelt und Schornstein. Holz ist kein Dauerbrandbrennstoff.

**Die korrekte Anzündmethode:**



Wie auf dem Bild links gezeigt brauchen Sie:  
2 Anzündbeutel (oder 5 - 10 zerknüllte Zeitungsseiten)  
1 kg trockenes Kleinholz  
Ca. 1-1,5 kg gesplante Holzscheite



Öffnen Sie die Luftzufuhr ganz.



2-3 cm Asche sind eine gute Unterlage für das Feuer. Legen Sie zuerst ein paar Stücke Holzscheite (ca. ½ kg) auf den Boden der Brennkammer.



Bedecken Sie die Scheite mit 1 kg trockenem Kleinholz und legen Sie unter die oberste Schicht Kleinholz ein paar Anzündbeutel.



Zünden Sie die Anzündbeutel an.



Die Flammen arbeiten sich langsam von oben nach unten. Nach ca. 45-60 Min. sind die letzten Flammen ausgegangen und es hat sich eine schöne Glutschicht gebildet. Neues Brennholz wird normalerweise nachgelegt, solange sich noch Glut im Ofen befindet. Verteilen Sie mit dem Feuerhaken die Glut auf dem Boden der Brennkammer - am meisten vorne im Ofen.



Holzscheite von je ca. 0,5 kg Gewicht und ca. 25 cm Länge werden auf die Glut in einer Schicht mit einem Abstand von 1 cm zwischen den Scheiten eingelegt. Bei ganz geöffneten Ventilen und geschlossener Tür wird die frische Holzmenge in ca. 2-3 Minuten entzündet sein.



Schließlich werden die Ventile auf die gewünschte Position reguliert und die optimale Verbrennung wird zur Grundglut fortgesetzt, wonach eine weitere Nachfüllung vorgenommen werden kann.

## **Morsø und der Umweltschutz**

In den letzten Jahren wurde viel über „CO<sub>2</sub>-Emissionen“ und die „Erwärmung der Erdatmosphäre“ gesprochen. Gleichzeitig haben wir inmitten weltweiter Klimaprobleme ein stärkeres Bewusstsein entwickelt, wie wir durch unsere persönlichen Entscheidungen globale Klimaprobleme verschärfen oder zu einer Lösung beitragen können. Die nachfolgenden Seiten befassen sich mit Morsøs Beitrag zum Umweltschutz.

## **Nicht nur unsere Öfen sind umweltneutral**

Gemäß heutiger Anforderungen spielt der Umweltschutz bei Morsø Jernstøberi selbstverständlich eine wesentliche Rolle - und dies schon lange, bevor ein Umweltbewusstsein „in“ wurde.

Wir sind ständig danach bestrebt, Möglichkeiten zu finden, durch die wir Morsø-Öfen noch umweltschonender als bisher fertigen können.





---

### **Recyclingeisen**

99% vom Gusseisen, das bei Morsø benutzt wird, kommen von umgeschmolzenem Schrott. Damit können wir einen wesentlichen Beitrag zum Umweltschutz leisten. Ist die Vorstellung nicht faszinierend, dass Ihr neuer Ofen zuvor möglicherweise ein Fahrrad war, oder ein Laternenmast oder ein...?

---

### **Nachhaltige Energie**

Es ist kein Geheimnis, dass für Fertigungsprozesse viel zu viel Energie verwendet wird - dies kann unter Umständen ungeheure Mengen umfassen. Wir stellen deshalb sicher, dass mindestens 80 Prozent unseres Energieverbrauchs von nachhaltigen Energiequellen, hauptsächlich Windenergie, stammen. Ein solch hoher Prozentsatz wird nur von wenigen Unternehmen erreicht (Mai 2009).

---

### **Recycelte Verpackungen**

Sie erhalten Ihren Morsø-Ofen vom Händler in recyceltem Verpackungsmaterial. Außerdem verwenden wir für unsere Verpackungen möglichst wenig Druckfarben, und die geringe Menge, die wir verwenden, ist ausschließlich wasserbasiert.

---

### **Abfallsortierung**

Nichts ist so nutzlos, dass es nicht für irgendetwas wiederverwendet werden könnte. Wir nehmen dies bei Morsø Jernstøberi ziemlich wörtlich. Die überwiegende Mehrheit unseres Abfalls wird sortiert und wiederverwendet, um so Umweltbelastungen möglichst minimal halten zu können. Dies bezieht sich insbesondere auf umgeschmolzene überschüssige bzw. verschrottete Öfen oder Gusseisenplatten. Wie ernst uns dies ist, wird beispielsweise durch die Tatsache veranschaulicht, dass unsere Abfallsortieranlage gemäß der internationalen Norm für Umweltmanagement ISO 14001 zertifiziert ist.

---



# S10

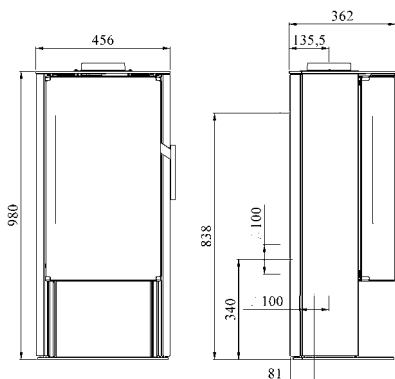


## S10-40



DIN/EN-geprüft 15a B-VG

Nominelle Leistung .....	5 kW
Abst. zu brennbarem Material, hinten .....	200 mm
Abst. zu brennbarem Material, seitlich .....	400 mm
Betriebsleistung .....	3-7 kW
*Heizvermögen .....	45-105 m <sup>2</sup>
Rauchabgang oben/hinten .....	Ø 150 mm
Gewicht .....	98 kg
Brennholzlänge max. ....	33 cm
Wirkungsgrad % .....	81,3
Feinstaub .....	39 mg/m <sup>3</sup>
Mittlere Abgastemp .....	260
Abgasmassenstrom .....	5,1
Mittlere Förderdruck P (pa) .....	12
Frischluftzufuhr ist möglich sowohl von unten als von hinten.	
*Bei einer Raumhöhe von max. 250 cm.	



Wir von Morsø folgen getreu dem Grundsatz, stets eine optimale Kombination aus Design, Qualität und Material zu erzielen. Die neue Morsø S Baureihe ist ein überzeugendes Beispiel dafür. Wir haben eine Reihe hochwertiger Stahlkaminöfen für die Holzverbrennung kreiert, die Akzente im Design setzen. Stilistisch wirken die Modelle leicht, elegant und äußerst skandinavisch. Und um einen Hauch unserer "Wurzeln" zu bewahren, enthalten die neuen Kaminöfen auch ein gusseisernes Element. Zu allen Morsø S Varianten wird eine Garantie von 5 Jahren angeboten. Näheres entnehmen Sie bitte den Garantiebestimmungen von Morsø.



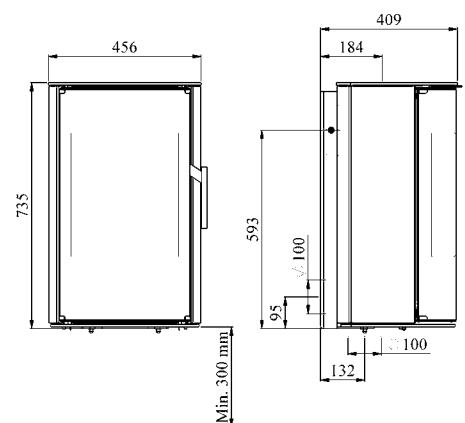
designpartners  
...design med vilje

### S10-70



DIN/EN-geprüft 15a B-VG

Nominelle Leistung .....	5 kW
Abst. zu brennbarem Material, hinten .....	200 mm
Abst. zu brennbarem Material, seitlich .....	400 mm
Abst. zu brennbarem Material, boden .....	300 mm
Betriebsleistung .....	3-7 kW
*Heizvermögen .....	45-105 m <sup>2</sup>
Rauchabgang oben/hinten .....	Ø 150 mm
Gewicht .....	102 kg
Brennholzlänge max .....	33 cm
Wirkungsgrad % .....	81,3
Feinstaub .....	39 mg/m <sup>3</sup>
Mittlere Abgastemp .....	260
Abgasmassenstrom .....	5,1
Mittlere Förderdruck P (pa) .....	12
Frischluftzufuhr ist möglich von hinten.	
*Bei einer Raumhöhe von max. 250 cm.	



Für Rauchabgang nach oben, kann eine offene Topplatte als Sonderzubehör gekauft werden.

# S10-45



## S10-45



DIN/EN-geprüft 15a B-VG

Nominelle Leistung .....5 kW

Abst. zu brennbarem Material, hinten 200 mm

Abst. zu brennbarem Material, seitlich 400 mm

Betriebsleistung ..... 3-7 kW

\*Heizvermögen ..... 45-105 m<sup>2</sup>

Rauchabgang oben/hinten..... Ø 150 mm

Gewicht..... 155 kg

Brennholzlänge max.....33 cm

Wirkungsgrad % ..... 81,3

Feinstaub ..... 39 mg/m<sup>3</sup>

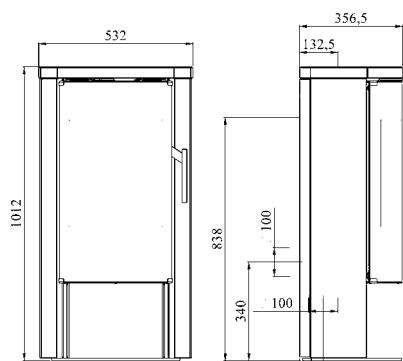
Mittlere Abgastemp ..... 260

Abgasmassenstrom ..... 5,1

Mittlere Förderdruck P (pa)..... 12

Frischluftzufuhr ist möglich sowohl von unten als von hinten.

\*Bei einer Raumhöhe von max. 250 cm.





Die **Morsø S11** Baureihe ist der Inbegriff eines schlichten, zeitlosen Designs. Bei der Konstruktion des Ofens legten wir besonderen Wert darauf, ein auffallendes Äußeres mit anziehenden Kontrasten zu schaffen. Eine straffe Linienführung und sanfte Kurven. Der minimalistische und schlichte äußere Eindruck des Stahlteils dient als perfektes Gegenstück zu der großen Glastür des Kaminofens, die einen großzügigen Blick auf die schönen, gemütlichen Flammen gewährt.

### S11-43 / S11-90

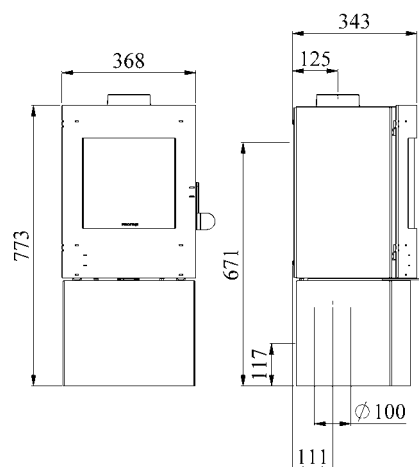


DIN/EN-geprüft 15a B-VG

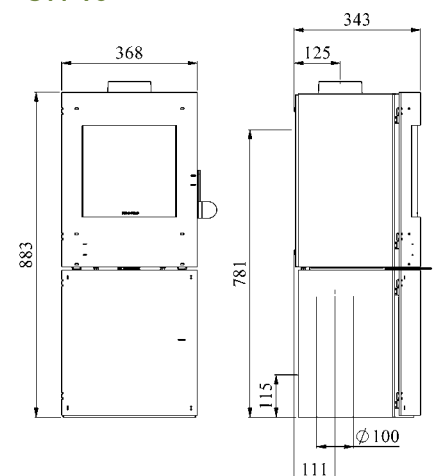
Nominelle Leistung .....	4 kW
Abst. zu brennbarem Material, hinten 200 mm	
Abst. zu brennbarem Material, seitlich 300 mm	
Betriebsleistung .....	2-5 kW
*Heizvermögen .....	30-75 m <sup>2</sup>
Rauchabgang oben/hinten .....	Ø 120 mm
Gewicht S11-43 .....	70 kg
Gewicht S11-90 .....	73 kg
Brennholzlänge max .....	25 cm
Wirkungsgrad % .....	83
Feinstaub .....	21 mg/m <sup>3</sup>
Mittlere Abgastemp .....	243
Abgasmassenstrom .....	2,69
Mittlere Förderdruck P (pa) .....	12
Frischluftezufuhr ist möglich sowohl von unten als von hinten.	

\*Bei einer Raumhöhe von max. 250 cm.

#### S11-43



#### S11-90





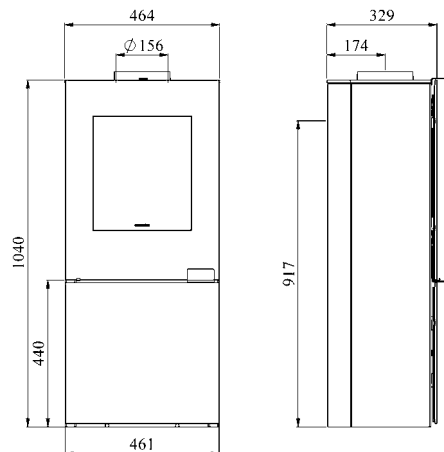
Die Glasfront mit Spezialbeschichtung erzeugt einen spannenden Spiegeleffekt.

## S12-40



DIN/EN-geprüft 15a B-VG

Nominelle Leistung .....	6 kW
Abst. zu brennbarem Material, hinten	125 mm
Abst. zu brennbarem Material, seitlich	200 mm
Abst. zu brennbarem Material, seitlich	300 mm
Betriebsleistung .....	3-7 kW
*Heizvermögen .....	45-105 m <sup>2</sup>
Rauchabgang oben/hinten.....	Ø150 mm
Gewicht.....	100 kg
Brennholzlänge max.....	33 cm
Wirkungsgrad %.....	87
Feinstaub .....	12 mg/m <sup>3</sup>
Mittlere Abgastemp .....	172
Abgasmassenstrom .....	4,7
Mittlere Förderdruck P [pa].....	12
*Bei einer Raumhöhe von max. 250 cm.	



Morsø 12-40 / Ohne Glasfront



designpartners  
...design med vilje

**S50-40 / S50-45**



DIN/EN-geprüft 15a B-VG

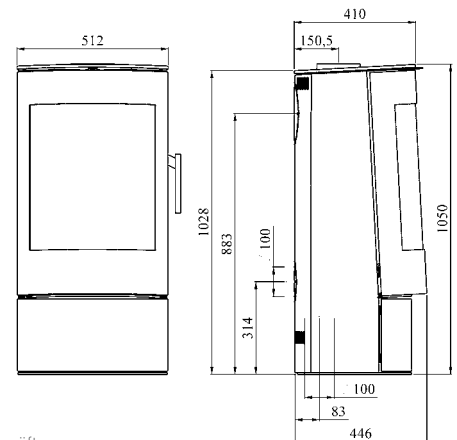
- Nominelle Leistung ..... 8 kW
- Abst. zu brennbarem Material, hinten ... 300 mm
- Abst. zu brennbarem Material, seitlich . 500 mm
- Betriebsleistung ..... 6-10 kW
- \*Heizvermögen ..... 90-150 m<sup>2</sup>
- Rauchabgang oben/hinten ..... Ø 150 mm
- Gewicht ..... 120 kg / 163 kg
- Brennholzlänge max ..... 35 cm
- Wirkungsgrad % ..... 78,3
- Feinstaub ..... 19 mg/m<sup>3</sup>
- Mittlere Abgastemp ..... 329
- Abgasmassenstrom ..... 7,4
- Mittlere Förderdruck P (pa) ..... 12

Frischlufzufuhr ist möglich sowohl von unten als von hinten.

\*Bei einer Raumhöhe von max. 250 cm. RLU möglich / DIBt Geprüft



Morsø 50-45 / Mit Sandstein



# Morsø Living



• Morsø Forno

Interior  
innovation  
award  
2013

Winner

Bei Morsø lieben wir Feuer. Wir lieben die natürliche Gemeinschaft, die sich immer bei den verführerischen, tanzenden Flammen sammelt. Auf der Grundlage unserer starken Traditionen haben wir ein innovatives Universum für Sie, Ihrer Familie und für den Europäischen Sommer geschaffen.



- Morsø Pizzaschaufel
- Morsø Ascheschieber
- Morsø Feuerzange
- Morsø Tisch



• Tuscan Grill



Das Innere des Ofens ist wie ein italienischer Steinbackofen gestaltet. Der breite und niedrige Feuerraum sorgt für eine optimale Strahlungswärme und viel Platz die Glut zur Seite zu schieben, wenn Leckereien gemacht werden sollen. Der Ofen ist aus stabilem, emailliertem Gusseisen hergestellt.  
Mål: D70xH60 cm.



Morsø Tisch für Morsø Forno  
60x77x130 cm



• BEL-Bioethanol Lampe



• Morsø Feuerstelle mit Grill Rost



Sehen Sie, wie Gorm Wisveh pizza im "MORSØ FORNO" bäckt.



# Morsø Living



• Morsø Grill Forno

• Morsø Bratpfanne & Servierplatte



• Grill Forno Tür



• Tuscan Grill

Der Morsø Grill "Forno" ist aus solidem, emailliertem Gusseisen hergestellt, was einige unübertroffene Vorteile beim Grillen bringt. Es werden auch ein Kohleneinsatz und ein Grillrost, beides ebenfalls aus Gusseisen, mit dem "Forno" geliefert.

Die guten Eigenschaften von Gusseisen Wärme zu speichern und zu verteilen, kombiniert mit den mikroskopisch kleinen "Taschen" auf der Oberfläche, die Fett und Geschmack aufsammeln, bilden zusammen diesen einzigartigen Grillrost. Diese Eigenschaften bewirken, dass das Fleisch im eigenen Fett gegrillt wird und nicht wie bei einem Rost aus Stahl, wo das Fleisch nur geröstet wird.



By appointment to The Royal Danish Court

**morsø**LIVING



• **Morsø Kamino** - ohne Sockel

Der Morsø Kamino Außenkamin ist aus Gusseisen hergestellt und kann mehr als nur gut aussehen und Wärme abgeben. Er kann auch bewirken, dass die Terrasse länger genutzt werden kann. Im Frühling, an kühlen Sommerabenden bis hin zum Herbst kann der Morsø Kamino Außenkamin seine Wärme abgeben.

Der Morsø Kamino Außenkamin ist transportabel und kann entsprechend der Windrichtung ausgerichtet werden.



• **Morsø Kamino** - mit Sockel



• **Morsø Forno**



• **Morsø Forno Tür**

Als letztes haben wir eine separate Tür aus rostfreiem Stahl für den Forno entwickelt. Sie haben nun noch mehr Möglichkeiten ihren Forno zu benutzen. Mit der Tür kann man jetzt auch räuchern, backen und schmoren.

# Originalzubehör

Nicht nur der Ofen kann für eine warme und komfortable Atmosphäre in Ihrem Heim sorgen. Mit dem Originalzubehör von Morsø können Sie das Heizerlebnis abrunden und den Standard weiter anheben. Außerdem ist es mit dem von Morsø erhältlichen Rauchgasthermometer und Feuchtigkeitsmesser möglich, Ihren Ofen möglichst effizient und brennstoffsparend zu handhaben und dabei gleichzeitig der Umwelt Gutes zu tun.

## CURVA - FILZKORB & SCHÜRHHAKEN



Der Schürhaken wird mithilfe eines Magneten hinten am Ofen befestigt, während das Brennholz im Korb aufbewahrt wird.

Mit „CURVA“ hat Morsø eine funktionale und ästhetisch ansprechende Einheit geschaffen, die das Kaminzubehör so zusammenfasst, dass alle Produkte der Serie ihre Funktion haben und nicht überflüssig ist.

„CURVA“ wurde von Josefine Bentzen entworfen, die mit einer Leidenschaft für die skandinavische Designtradition neues nordisches Produktdesign schafft. Ihre Arbeit wird dadurch charakterisiert, dass der Mensch immer der Ausgangspunkt für Funktionalität, Ergonomie und ästhetischen Ausdruck der Produkte bildet.



### CURVA KAMINBESTECK

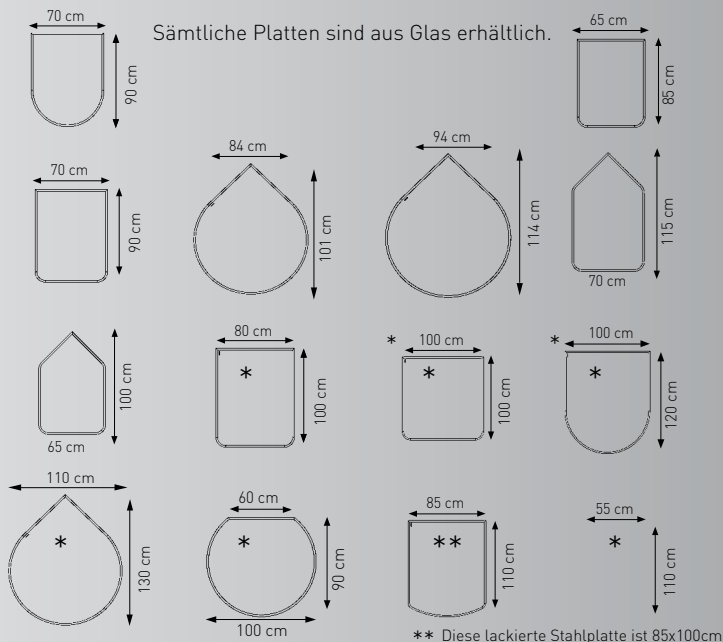
In der Schale werden die Anzündutensilien aufbewahrt - das Kehrblech nimmt den Handfeger auf und fungiert gleichzeitig als Deckel der Aufbewahrungsschale.

## UNTERLEGPLATTEN

Morsø bietet eine große Auswahl an Unterlegplatten aus Glas oder schwarz lackiertem Stahl an. Die schwarzen Stahlplatten bestehen aus 2 mm starkem Qualitätsstahl mit Strukturlack, und passen gut zu den Morsø-Öfen. Morsø's Glasunterlegplatten sind aus 8 mm gehärtetem, klarem Glas (Sicherheitsglas) mit einer speziellen, facettegeschliffenen Kante, was der gesamten Platte eine sehr elegante und exklusive Note gibt.



Neue Glasplatte speziell für der Serie 7900 entwickelt.



\* Diese Platten sind aus Glas oder auch in schwarz lackiertem Stahl erhältlich

## HOLZABLAGE UND KAMINBESTECK MORSØ LOOP

Die Holzablage hat Ähnlichkeit mit einer minimalistischen Skulptur, die modernes und stilles Design mit optimaler Funktionalität vereint. Die Holzscheite lassen sich schön und idyllisch anmutend in der Holzablage aufschichten. Der Handgriff ist für einen guten Tragekomfort aus formverstärktem Gummi gefertigt. Zur Holzablage gehört eine Gummimatte, die Staub und Schmutz auffängt. Zur Serie gehört auch das Kaminbesteck Loop, bei dem eine ausserlesene Formgebung und eine spannende Materialwahl miteinander kombiniert werden. Das wandmontierte Kaminbesteck besteht zugunsten einer optimalen Funktionalität ebenfalls aus formverstärktem Gummi.

Dazu gehören 3 ergonomische Einzelteile: Schürreisen mit weichem Gummigriff - Gummibürste - Aschenschaufel aus Gummi.



## HOLZKASTEN

Holzkasten in schlichtem Design mit mattschwarzem oder grauem Strukturlack, und einer kleinen Prägung des Morsø-Logos an der Seite. Einschl. Morsø-Holztragetasche  
H x B x L: 30 x 38 x 45 cm.



## KESSEL

Die Kessel sind aus Guss-eisen. Sie haben entweder 2,0 Liter oder 4,5 Liter Inhalt.

## ASCHEN- UND AUFBEWAHRUNGSEIMER

Geräumiger Ascheneimer mit Deckel, der auch für Anzündholz/Kleinholz genommen werden kann.



## CLASSIC KAMINBESTECK

Dreiteiliges Kaminbesteck mit guss-eisernem Ständer und oben mit gusseisernem Eichhörnchen-Knauf.





## KLEINER UND GROSSER RUNDER HOLZEIMER

Holzeimer in schlichtem Design, mit mattschwarzem Strukturlack, und einer kleinen Prägung des Morsø-Logos an der Seite.

Klein: H x Ø: 32 x 40 cm.

Gross: H x Ø: 34 x 45 cm.

## COMPLETE

Die drei Elemente des Kaminofenbestecks lassen sich elegant hinter einer Klappe verstauen, die sich entweder nach rechts oder links öffnen lässt. Die Arbeitsgeräte sind aus Qualitätsmaterialien mit schönen Gummigriffen gefertigt.

H:40 x B: 20 x T: 10,7 cm.



## KAMINHANDSCHUHE

Praktische Schutzhandschuhe aus kräftigem Leder. Erhältlich sowohl für die linke wie auch rechte Hand.



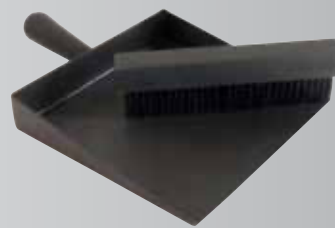
## RAUCHGASTER-MOMETER

Das Thermometer wird mit einem Magneten an das unisolierte Ofenrohr angebracht und misst die Rauchgastemperatur.



## MORSØ MESSGERÄT

Zum Messen der Holzfeuchte. Sichert Ihnen die korrekte Holzfeuchtigkeit, so dass eine saubere und effektive Verbrennung erreicht wird.



## MORSØ KEHRSCHAUFEL UND BESEN

Der Kehrschaufel ist 20 cm breit, hat eine schwarze, pulverlackierte Oberfläche, und hat einen ergonomisch ausgeformten Handgriff aus Gummimaterial. Der Besen hat feine, schwarze Naturhaare und schwarzen Stiel mit dem Morsø-Namen.

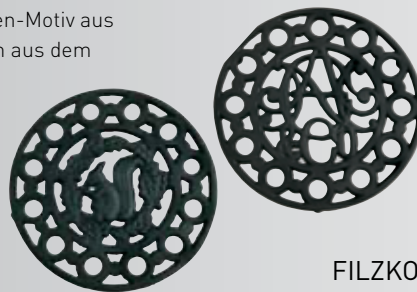
## HOLZTRAGE

Handliche Holz Tragetasche aus schwarzem Kanevas.



## MORSØ TRIVETS/UNTERSETZER

Das Trivet / der Untersetzer trägt dazu bei, dass die Temperatur des Wassers im Kessel nicht zu hoch wird. Kann auch als dekorativer Untersetzer auf dem Tisch benutzt werden. Hergestellt aus Gusseisen und erhältlich entweder mit Morsø's bekanntem Eichhörnchen-Motiv aus den Dreißigern oder mit Morsø's Warenzeichen aus dem 19. Jahrhundert.



## SICHERHEITSGITTER FÜR KINDER

Dreiteiliges, zerlegbares Sicherheitsgitter aus schwarz-zlackiertem Stahl mit Wandbeschlägen. Das Gitter wird vor den Kaminofen gestellt, um zu verhindern, dass kleinere Kinder zu dicht an den Ofen kommen.

H x B x T: 70 x 110 x 110 cm.



## MORSØ MINIOFEN

Gusseiserne Miniaturausgabe der wunderschönen und eleganten Kaminofenmodelle 2B Classic, 2B Classic: HxB: 27x8 cm



## MONTAGE UND INSTANDHALTUNG

Seien Sie gut zu Ihrem Ofen - nehmen Sie original Morsø-Produkte zur Montage und der langfristigen Instandhaltung. Kaminmörtel, Dichtungs-Sets für Türen, Farbe/Lack, Ofenkitt, Glasreiniger, Ofenschwärze u.v.m. Fragen Sie bitte bei Ihrem Händler nach, wenn Sie etwas benötigen.

## FILZKORB SINUS

Mit Sinus betreten Holzablagen Neuland. Die innovative Materialwahl sorgt für einen warmen, interessanten Charakter. Die Ablagen, die in zwei Größen und den Farben Schwarz und Braun erhältlich sind, eignen sich als Aufbewahrungsort für Brennholz, Zeitungen oder z. B. auch Kinderspielzeug.

Der Filzkorb Sinus zeichnet sich aus durch seine gute Haltbarkeit und die exklusive Filzqualität aus 100% Wolle. Patentiertes Design.

